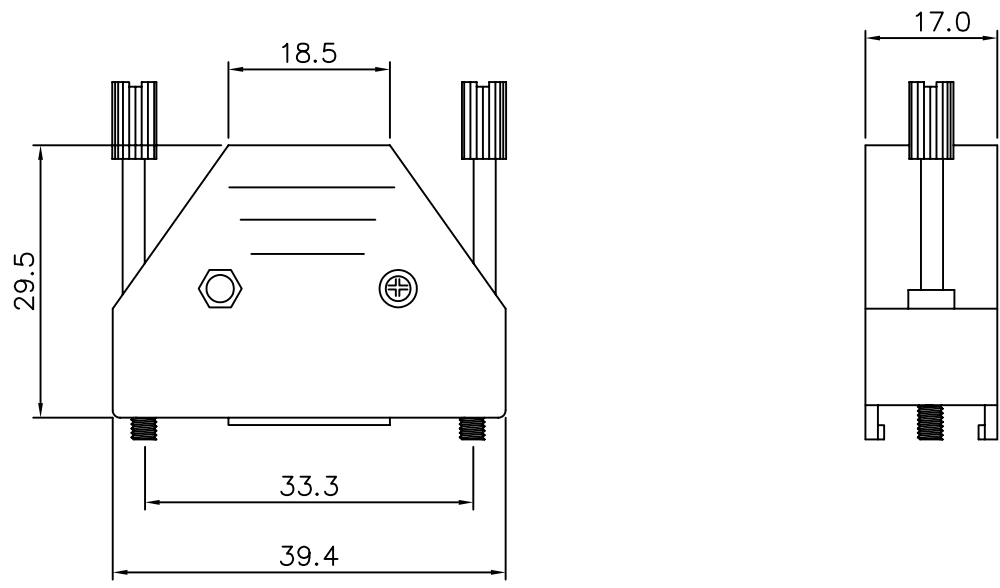
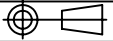


SPECIFICATIONS

Color: Black
 Long Screw*2
 Packing: Bulk



4UCON 元化興業股份有限公司
 4UCON TECHNOLOGY INC.

| | | | | |
|-------------|------|-------------|---|---|
| DRAWING No. | | APPROVED BY | | UNLESS OTHERWISE SPECIFIED TOLERANCES ARE .X ±0.38 .XX ±0.25 AWG. |
| 03383 | | MEI | | |
| | | RAN | | |
| | | DRAWING BY | | UNIT mm |
| | | HZF | | |
| SCALE | NONE | REV. | A |  |

| | | | |
|------|-----------|-----|------|
| AREA | REVISIONS | CHK | DATE |
| | | | |
| | | | |
| | | | |