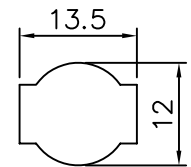
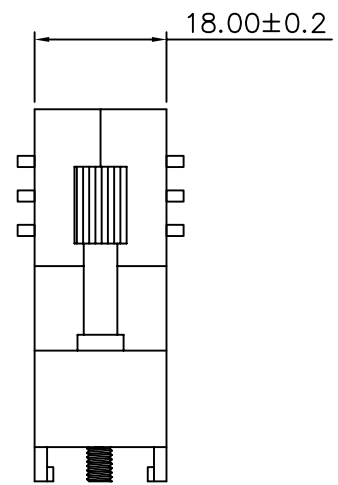
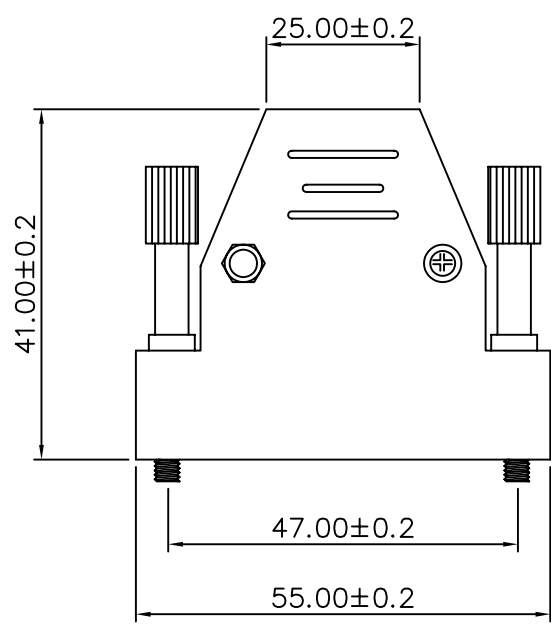


**SPECIFICATIONS**  
 Color:Black  
 Long Screw\*2  
 Packing:1Set/Bag



Outlet Diameter :  $\phi 12$  mm

**4UCON** 元化興業股份有限公司  
 4UCON TECHNOLOGY INC.

DRAWING No.		APPROVED BY		UNLESS OTHERWISE SPECIFIED TOLERANCES ARE .X ±0.38 .XX ±0.25 AWG.					
03385		MEI							
		RAN							
		DRAWING BY		HZF					
SCALE	NONE	REV.	A	UNIT	$\phi$	AREA	REVISIONS	CHK	DATE
				mm					