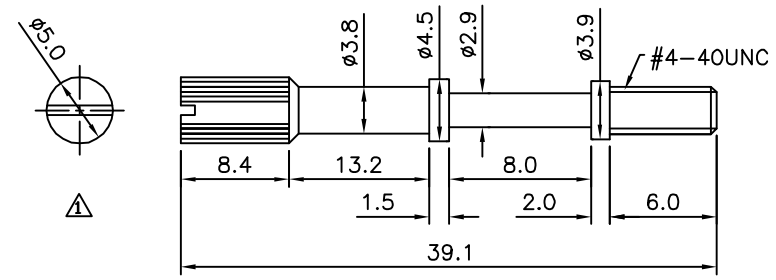
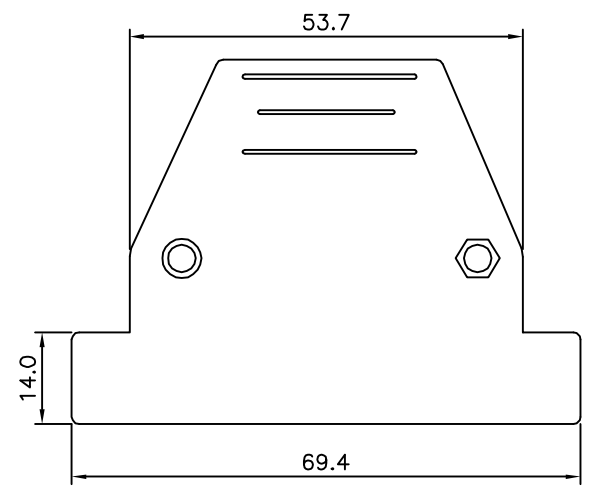


△

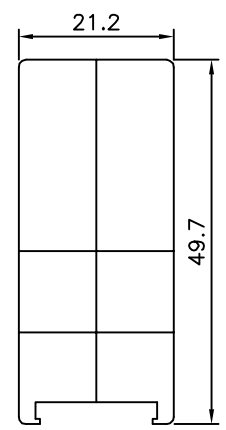


△

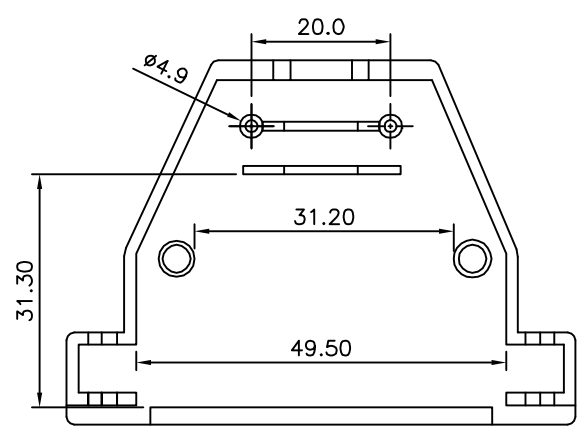
**△ SPECIFICATION**  
 Insulator:ABS(UL94HB),Black  
 Screw&Nut&SR:Steel,Nickel Plated  
 Q'ty:1 Set/Bag  
 RoHS Compliant



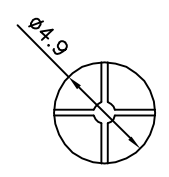
△



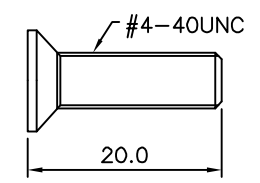
△



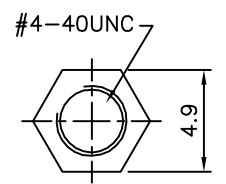
△



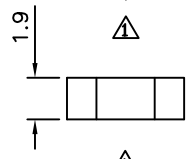
△



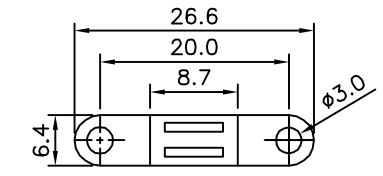
△



△



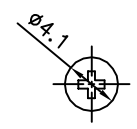
△



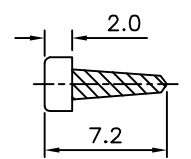
△



△



△



**4UCON** 元化興業股份有限公司  
 4UCON TECHNOLOGY INC.

DRAWING No.		APPROVED BY		UNLESS OTHERWISE SPECIFIED TOLERANCES ARE △ X. ±0.5 .X ±0.3 .XX ±0.2 ANG. ±5°
03387		EMILY		
		CHECKED BY		
		HZF		
		DRAWING BY		
		SONG		
SCALE	NONE	REV.	A1	UNIT
				mm

NO.	REV.	REVISIONS	CHK	DATE
△ A1		Modify Data	HZF	10/17/2013
△ A0		NEW RELEASE		