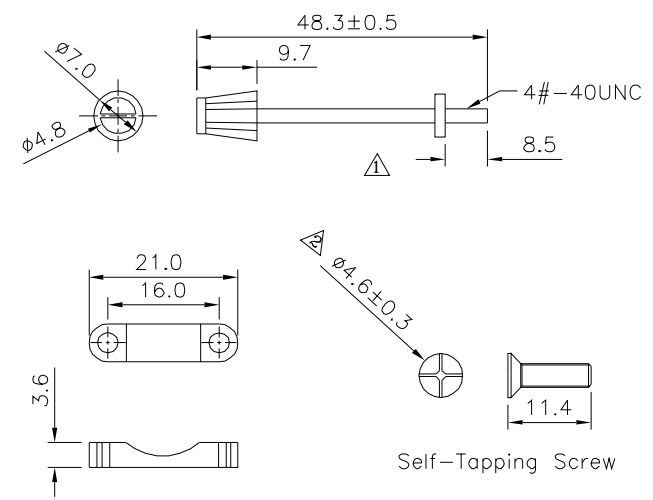
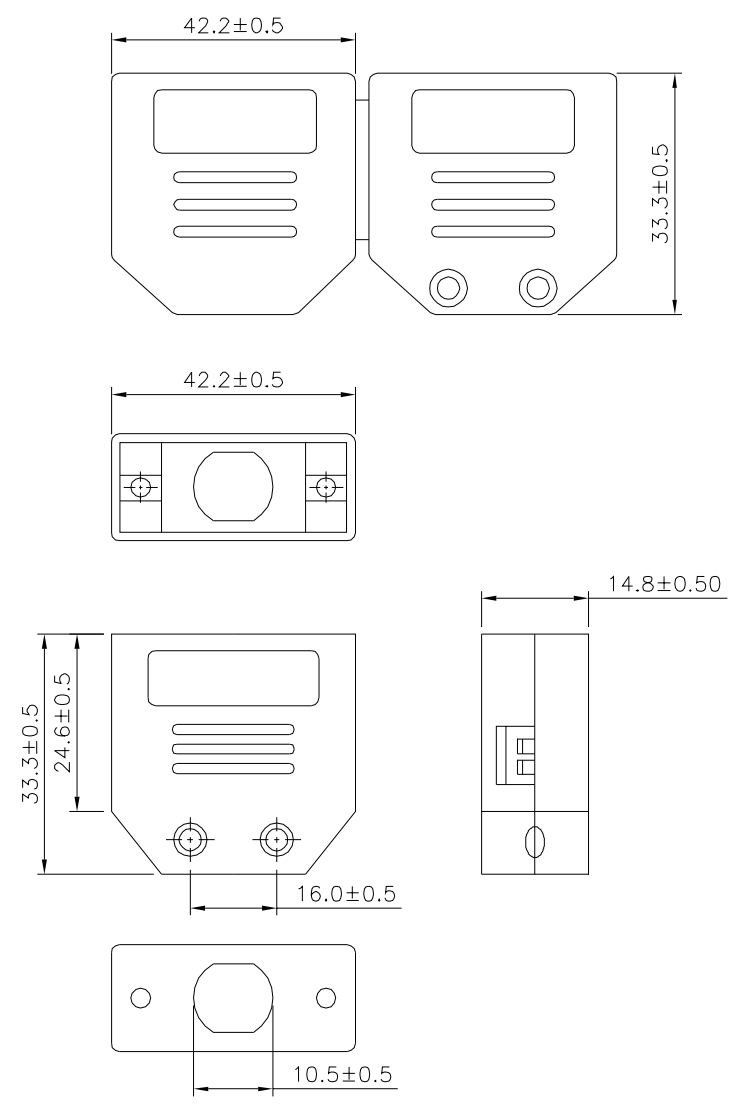


**SPECIFICATION**  
 Insulator:PP(UL94HB),Black  
 Screw:Steel,Nickel Plated  
 Q'ty:1 Set/Bag  
 RoHS Compliant



**4UCON** 元化興業股份有限公司  
 4UCON TECHNOLOGY INC.

DRAWING No.		APPROVED BY	
03389		Jason Wu	
		CHECKED BY	
		Leo Han	
DRAWING BY		UNLESS OTHERWISE SPECIFIED TOLERANCES ARE	
Michelle Lee		X. $\pm 0.5$	
SCALE		.X $\pm 0.3$	
NONE		.XX $\pm 0.2$	
REV.		ANG. $\pm 5^\circ$	
A2		UNIT	
mm		mm	

NO.	REV.	REVISIONS	CHK	DATE
A2		Modify Data	HZF	10/23/2024
A1		Modify Data	HZF	07/09/2021
A0		NEW RELEASE	HZF	02/20/2013