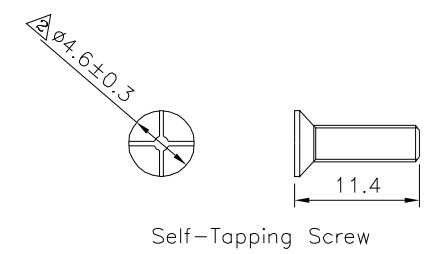
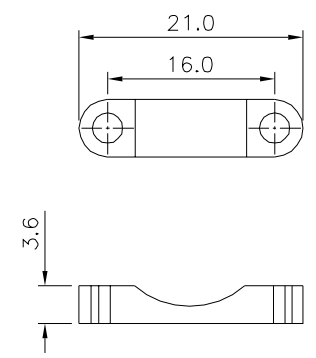
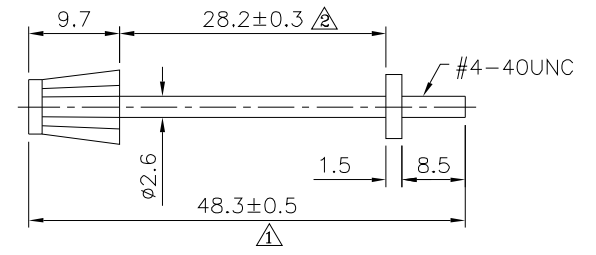
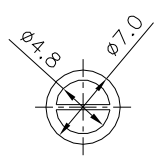


SPECIFICATION
 Insulator:PP(UL94HB),Black
 Screw:Steel,Nickel Plated
 Q'ty:1 Set/Bag
 RoHS Compliant



4UCON 元化興業股份有限公司
 4UCON TECHNOLOGY INC.

DRAWING No.		APPROVED BY		UNLESS OTHERWISE SPECIFIED TOLERANCES ARE X. ±0.5 .X ±0.3 .XX ±0.2 ANG. ±5°
03390		Jason Wu		
		CHECKED BY		
SCALE		REV.		
NONE		A2		mm

NO.	REV.	REVISIONS	CHK	DATE
△A2		MOdify Data	HZF	04/09/2026
△A1		MOdify Data	HZF	07/09/2021
△A0		NEW RELEASE	HZF	02/24/2013