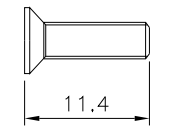
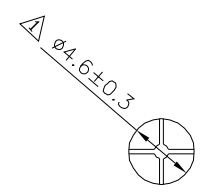
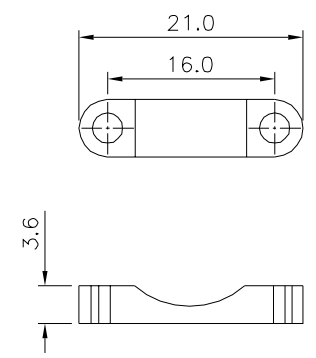
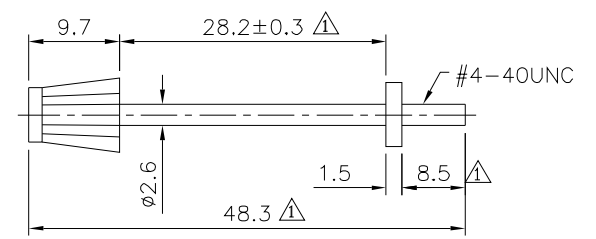
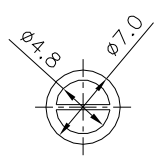


**SPECIFICATION**  
 Insulator:PP(UL94HB),Black  
 Screw:Steel,Nickel Plated  
 Q'ty:1 Set/Bag  
 RoHS Compliant



Self-Tapping Screw

**4UCON** 元化興業股份有限公司  
 4UCON TECHNOLOGY INC.

DRAWING No.		APPROVED BY		UNLESS OTHERWISE SPECIFIED TOLERANCES ARE X. ±0.5 .X ±0.3 .XX ±0.2 ANG. ±5°
03392		Jason Wu		
		CHECKED BY		
		Leo Han		
		DRAWING BY		
		Michelle Lee		
SCALE	NONE	REV.	A1	UNIT
				mm

NO.	REV.	REVISIONS	CHK	DATE
△A1		MOdify Data	HZF	04/09/2026
△A0		NEW RELEASE	HZF	02/24/2013