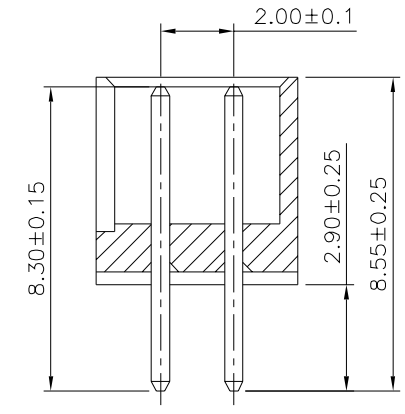
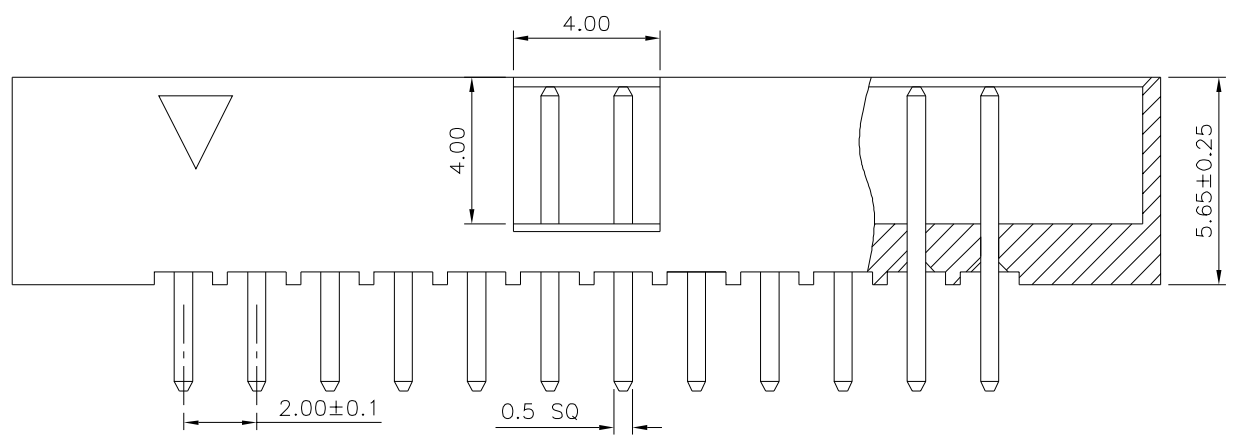
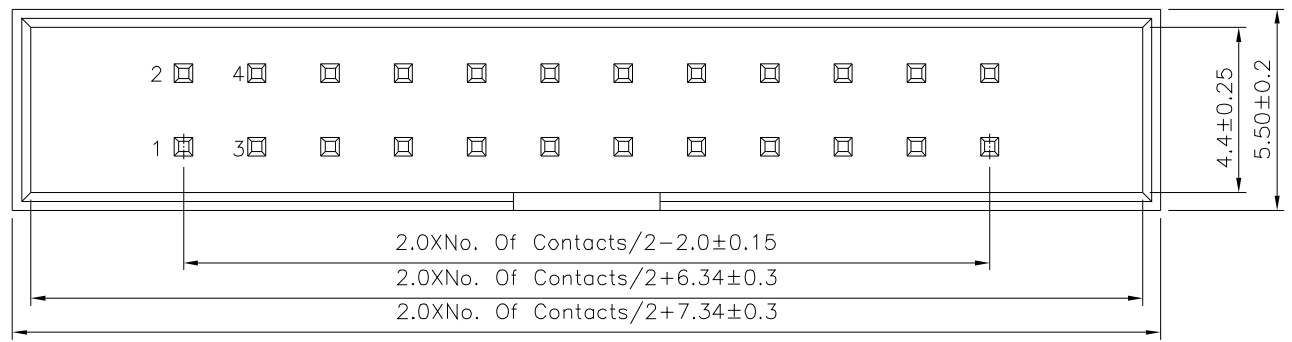


SPECIFICATION
 Current Rating: 1.5A
 Withstand Voltage: 500V AC
 Contact Resistance: 20 Milliohms Max.
 Insulation Resistance: 1000 Megaohms Min.
 Operation Temperature: $-40^{\circ}\text{C} \sim +105^{\circ}\text{C}$
 ⚠ Insulator: PA9T(UL94V-0), Black
 Contact: Brass, Gold Flash Over Nickel
 RoHS Compliant



4UCON 元化興業股份有限公司
 4UCON TECHNOLOGY INC.

DRAWING No.		APPROVED BY		UNLESS OTHERWISE SPECIFIED	
03472		Jason Wu		TOLERANCES ARE	
		CHECKED BY		X. ± 0.25 X.* $\pm 2^{\circ}$	
		Leo Han		.X ± 0.20 .X* $\pm 1.5^{\circ}$	
DRAWING BY		Michelle Lee		.XX ± 0.15 .XX* $\pm 1^{\circ}$	
SCALE		NONE		.XXX ± 0.10 .XXX* $\pm 0.5^{\circ}$	
REV.		B1		UNIT	
				mm	

NO.	REV.	REVISIONS	CHK	DATE
⚠	B1	Modify Data	HZF	12/12/2023
⚠	B0	NEW RELEASE	HZF	05/09/2018