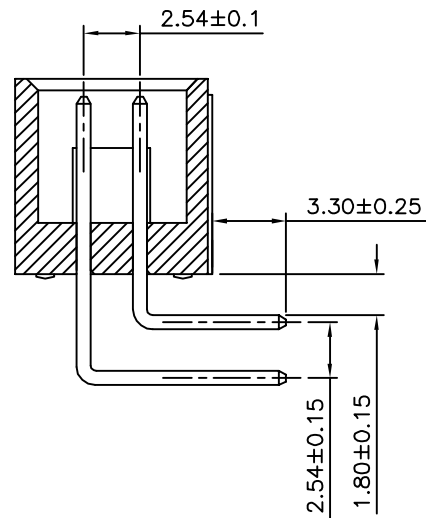
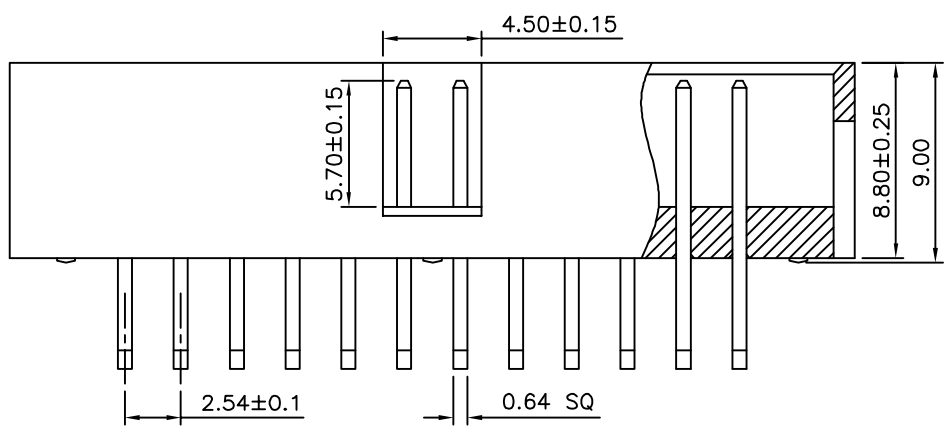
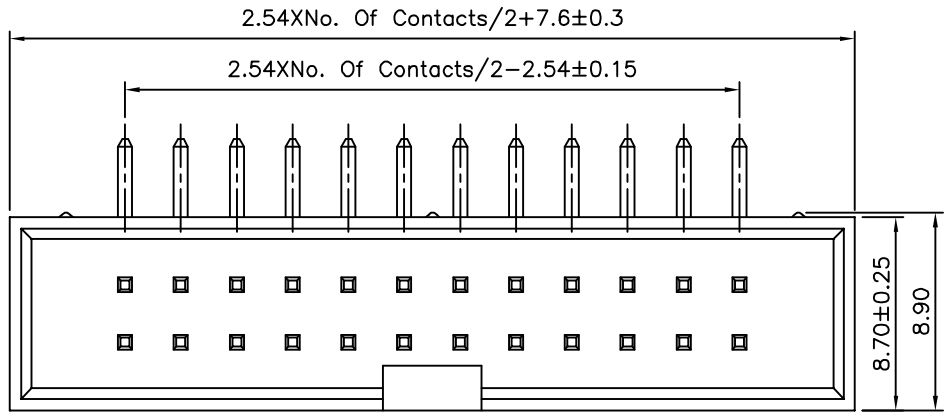


Recommended P.C.Board Layout  
PCB Tolerance: ±0.05(Top View)

**SPECIFICATION**  
 Current Rating: 3 Amps  
 Withstand Voltage: 1000V AC  
 Contact Resistance: 20 Milliohms Max.  
 Insulation Resistance: 1000 Megaohms Min.  
 Operation Temperature: -40°C ~ +105°C  
 Max. Processing Temp.: 180°C For 30~60 Seconds  
 (220°C For 10 Seconds)  
 Insulator: PBT(UL94V-0), Black  
 Contact: Brass, Gold Plated Over Nickel  
 RoHS Compliant



**4UCON** 元化興業股份有限公司  
4UCON TECHNOLOGY INC.

DRAWING No.		APPROVED BY		UNLESS OTHERWISE SPECIFIED TOLERANCES ARE X. ±0.3 X.* ±5° .X ±0.2 .X.* ±1° .XX ±0.1 .XX.* ±0.5°
03490		MEI		
		CHECKED BY		
		HZF		
		DRAWING BY		UNIT mm
		SONG		
SCALE	NONE	REV.	A0	

NO.	REV.	DESCRIPTION	CHK	DATE
△ A0		NEW RELEASE	HZF	12/18/2010
		REVISIONS		