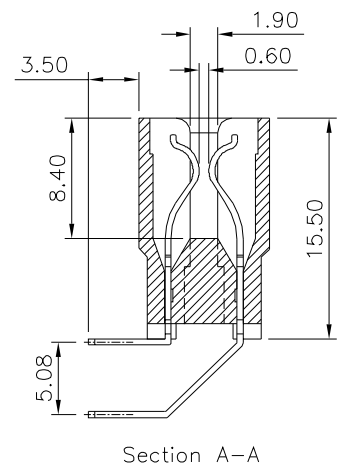
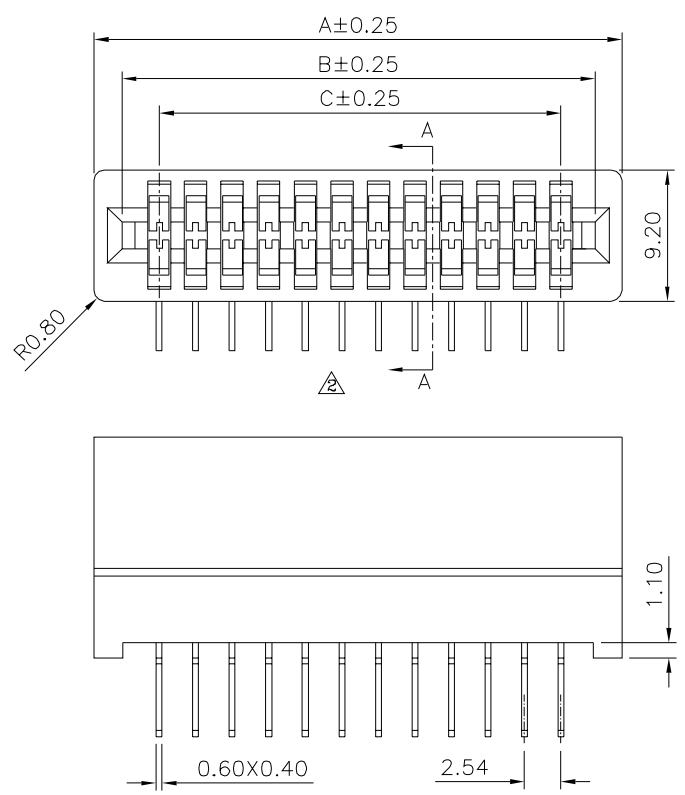


Recommended P.C.B. Layout

△△△ SPECIFICATION

Current Rating:3 Amp
 Voltage Rating:800V AC 1 Minute
 Contact Resistance:20 Milliohms Max.
 Insulation Resistance:5000 Megaohms Min.
 Operation Temperature:-55°C~+105°C
 Insertion Force:412 Grams Max. Per Pair
 Withdrawal Force:32 Grams Min. Per Pair
 Insulator:PBT+G.F.(UL94V-0),Black
 Contact:Phosphor Bronze,Gold Plated On Contact Area,Tin
 Plated On Solder Tails,Over Nickel
 RoHS Compliant



Section A-A

△△△

| Pin | A | B | C | Pin | A | B | C |
|-----|-------|-------|-------|-----|--------|--------|--------|
| 04 | 11.68 | 7.82 | 2.54 | 36 | 52.32 | 48.46 | 43.18 |
| 06 | 14.22 | 10.36 | 5.08 | 38 | 54.86 | 51.00 | 45.72 |
| 08 | 16.76 | 12.90 | 7.62 | 40 | 57.40 | 53.54 | 48.26 |
| 10 | 19.30 | 15.44 | 10.16 | 44 | 62.48 | 58.62 | 53.34 |
| 12 | 21.84 | 17.98 | 12.70 | 48 | 67.56 | 63.70 | 58.42 |
| 14 | 24.38 | 20.52 | 15.24 | 50 | 70.10 | 66.24 | 60.96 |
| 16 | 26.92 | 23.06 | 17.78 | 60 | 82.80 | 78.94 | 73.66 |
| 18 | 29.46 | 25.60 | 20.32 | 62 | 85.34 | 81.48 | 76.20 |
| 20 | 32.00 | 28.14 | 22.86 | 64 | 87.88 | 84.02 | 78.74 |
| 22 | 34.54 | 30.68 | 25.40 | 70 | 95.50 | 91.64 | 86.36 |
| 24 | 37.08 | 33.22 | 27.94 | 72 | 98.04 | 94.18 | 88.90 |
| 26 | 39.62 | 35.76 | 30.48 | 80 | 108.20 | 104.34 | 99.06 |
| 28 | 42.16 | 38.30 | 33.02 | 86 | 115.82 | 111.96 | 106.68 |
| 30 | 44.70 | 40.84 | 35.56 | 98 | 138.68 | 134.82 | 129.54 |
| 32 | 47.24 | 43.38 | 38.10 | 100 | 133.60 | 129.74 | 124.46 |
| 34 | 49.78 | 45.92 | 40.64 | 108 | 143.76 | 139.90 | 134.62 |

4UCON 元化興業股份有限公司
 4UCON TECHNOLOGY INC.

| | | | | | | | | |
|-------------|------|-------------|----|--|-------------|-------------|------------|------------|
| DRAWING No. | | APPROVED BY | | UNLESS OTHERWISE SPECIFIED TOLERANCES ARE △△△ X. ±0.50 △△ X ±0.38 △△△ .XX ±0.25 | △ A4 | Modify Data | HZF | 08/04/2023 |
| 04615 | | MEI | | | △ A3 | Modify Data | HZF | 08/31/2018 |
| | | CHECKED BY | | | △ A2 | Modify Data | HZF | 07/25/2012 |
| | | HZF | | △ A1 | Modify Data | HZF | 11/25/2009 | |
| | | DRAWING BY | | △ A0 | NEW RELEASE | HZF | 07/11/2006 | |
| | | CYP | | NO. REV. | REVISIONS | CHK | DATE | |
| SCALE | NONE | REV. | A4 | UNIT | mm | | | |