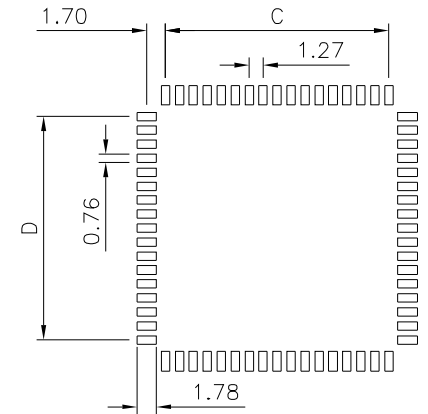


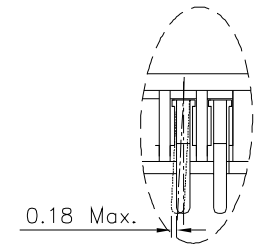
Detail A



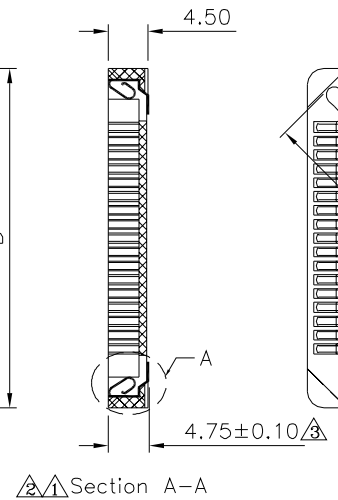
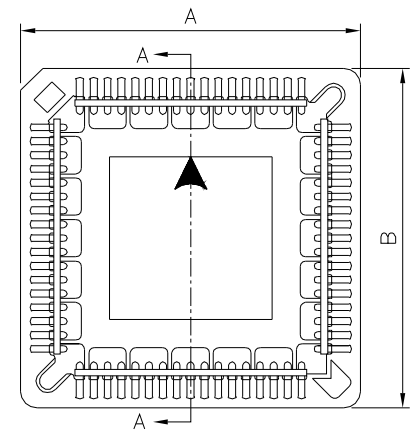
Recommended P.C.B. Layout

SPECIFICATION

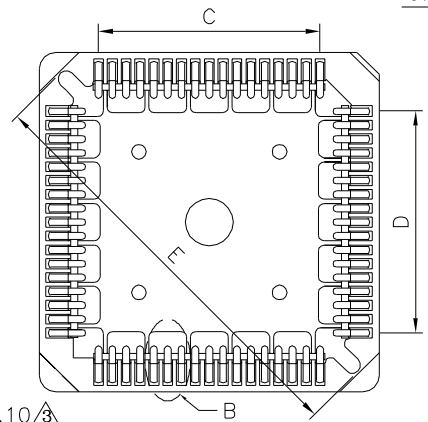
Current Rating:1A
 Contact Resistance:30 Milliohms Max.
 Insulation Resistance:1000 Megohms Min.
 Withstanding Voltage:600V AC For 1 Minute
 Temperature Range:-50°C~+105°C
 Insulator:PPS(UL94V-0),Brown
 Contact:Phosphor Bronze,Tin Plated Over Nickel
 RoHS Compliant



Detail B



Section A-A



Contact	A±0.2	B±0.2	C±0.1	D±0.1	E±0.2
20	15.66	15.66	5.08	5.08	17.28
28	18.20	18.20	7.62	7.62	20.87
32	18.20	20.74	7.62	10.16	22.60
44	23.28	23.28	12.70	12.70	28.30
52	25.82	25.82	15.24	15.24	31.65
68	30.90	30.90	20.32	20.32	38.83
84	35.98	35.98	25.40	25.40	46.00

4UCON 元化興業股份有限公司
 4UCON TECHNOLOGY INC.

DRAWING No. 04696
 APPROVED BY MEI
 CHECKED BY HZF
 DRAWING BY CYP
 SCALE NONE REV. A3
 UNIT mm
 UNLESS OTHERWISE SPECIFIED TOLERANCES ARE
 .X ±0.25
 .XX ±0.15
 ANG. ±2°

NO.	REV.	REVISIONS	CHK	DATE
3	A3	Modify Data	HZF	03/12/2019
2	A2	Modify Data	HZF	05/28/2016
1	A1	Modify Data	HZF	01/04/2010
0	A0	NEW RELEASE	BECKY	06/03/2005