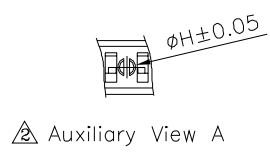
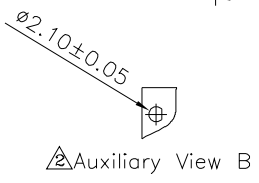
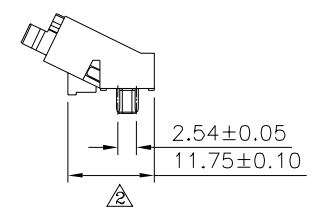
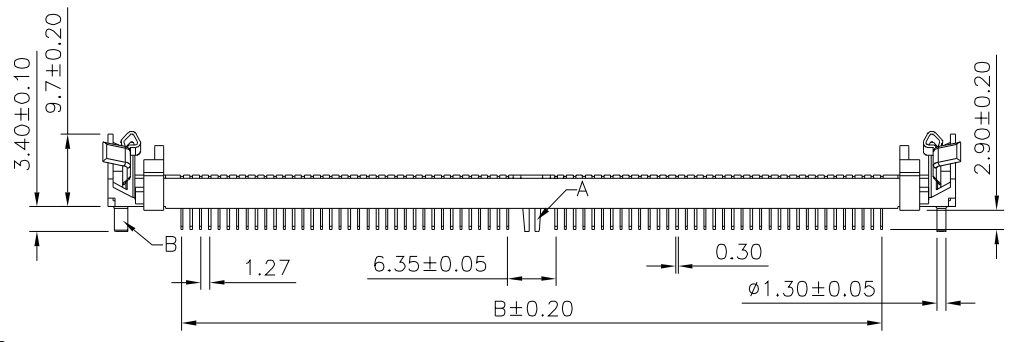
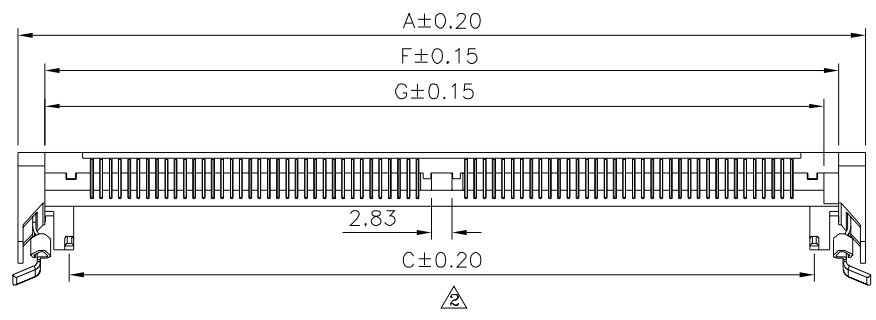
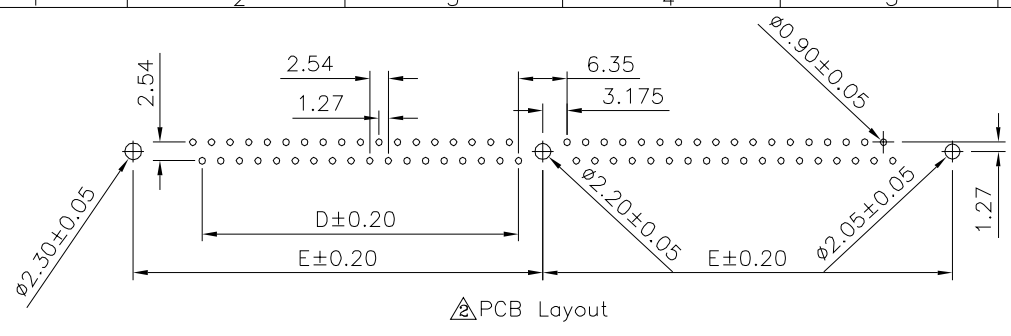


SPECIFICATION

Current Rating:1A
 ⚠ Dielectric Strength:1000V AC RMS
 Contact Resistance:30 Milliohms Max.
 Insulation Resistance:1000 Megaohms Min.
 At 500V DC
 Capacitance:1pF Max.
 Vibration:MIL-STD-1344A
 Duridity:30 Cycles
 Insertion Force:0g
 Withdrawal Force:0g
 Contact(Normal) Force:150g Min.
 Contact Retention Force:2 Pounds Per Circuit Min.
 Operating And Storage Temperature:-40°C~+100°C
 Humidity:MIL-STD-202,Method 106D,10 Days
 Temperature Soak:85°C For 160 Hours
 Thermal Shock:5 Cycles,-40°C~+85°C Per
 MIL-STD-202,Method 107E
 Body:LCP(UL94V-0)
 Contact:Bronze,Tin Plated Over Nickel
 Latch:Steel
 ⚠ Recommended Industry Standard Modules
 (1.19mm To 1.37mm Thick)
 RoHS Compliant



Pin	A	B	C	D	E	F	G	H
72	115.70	95.50	101.46	43.18	55.90	108.35	106.30	2.45
80	125.90	105.55	111.70	48.26	60.98	118.50	116.50	2.10

4UCON 元化興業股份有限公司
 4UCON TECHNOLOGY INC.

DRAWING No. 04729		APPROVED BY EMILY		UNLESS OTHERWISE SPECIFIED TOLERANCES ARE X. ±0.50 .X ±0.35 .XX ±0.25 .XXX ±0.05
		CHECKED BY HZF		
		DRAWING BY SONG		
SCALE	NONE	REV.	A2	UNIT mm

NO.	REV.	REVISIONS	CHK	DATE
⚠ A2		Modify Data	HZF	09/04/2014
⚠ A1		Modify Data	HZF	08/19/2010
⚠ A0		NEW RELEASE	HZF	07/06/2008