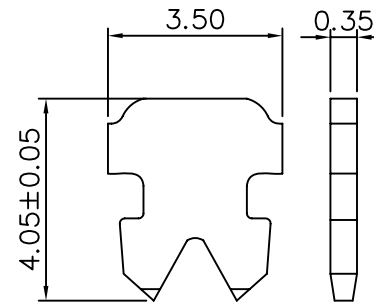
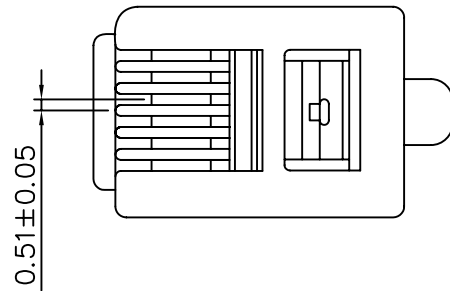


SPECIFICATIONS:

Insulator : Polycarbonate,UL 94V-2
 Contact: Copper Alloy,Gold Flash All Over



2 Prongs For Stranded Wire

4UCON 元化興業股份有限公司
 4UCON TECHNOLOGY INC.

DRAWING No.

04811

APPROVED BY

MEI

CHECKED BY

RAN

DRAWING BY

LXH

UNLESS OTHERWISE SPECIFIED TOLERANCES ARE
 .X
 .XX
 AWG.

UNIT
 mm



SCALE

NONE

REV.

A

AREA

REVISIONS

CHK

DATE