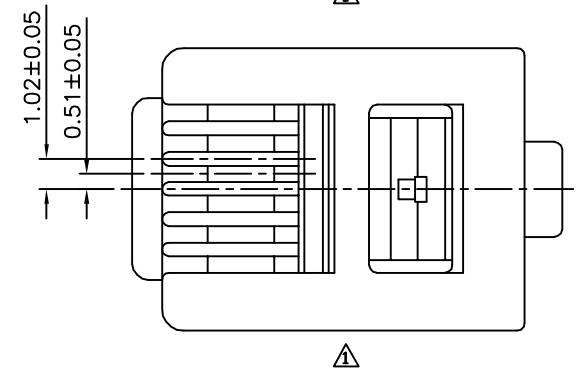
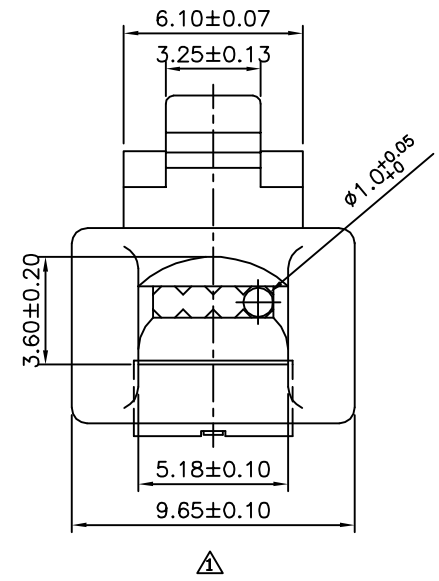
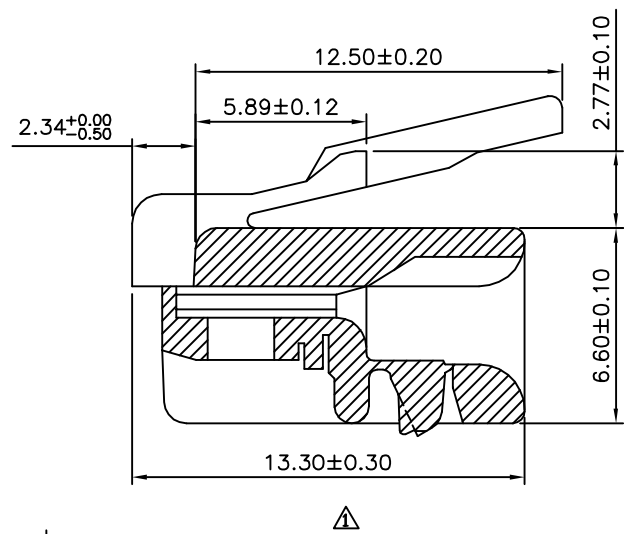
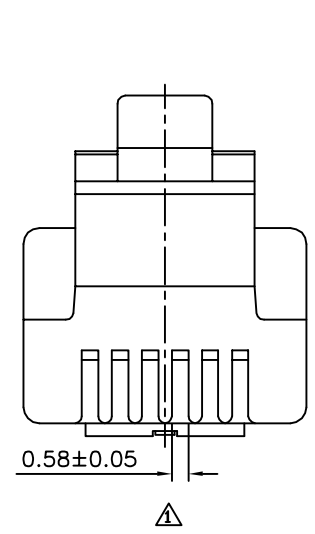


⚠ 2 Prongs For Stranded Wire

△ SPECIFICATION
 Housing:PC(UL94V-2)
 Contact:Bronze
 Gold Flash Over All,Over Nickel
 Available For 24 Or 26 AWG Wire
 RoHS Compliant



4UCON

元化興業股份有限公司
 4UCON TECHNOLOGY INC.

DRAWING No.		APPROVED BY		UNLESS OTHERWISE SPECIFIED TOLERANCES ARE .X ±0.38 .XX ±0.25 ANG.
04812		MEI		
		CHECKED BY		
		HZF		
		DRAWING BY		
		SONG		
SCALE	NONE	REV.	A1	UNIT
				mm

NO.	REV.	REVISIONS	CHK	DATE
△ A1		Modidfy Data	HZF	06/11/2013
△ A0		NEW RELEASE	BECKY	02/14/2006