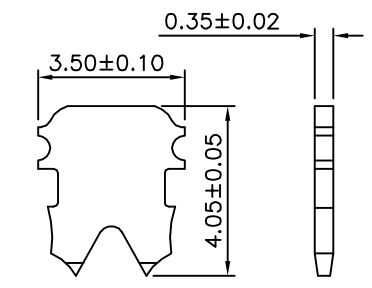
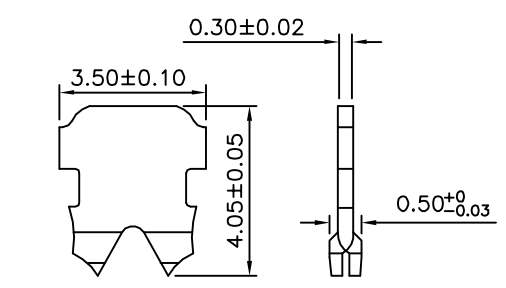


SPECIFICATION

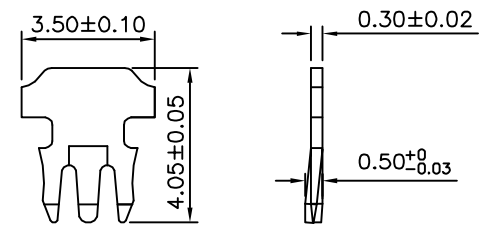
Housing:PC(UL94V-2)
 Contact:Phosphor Bronze
 Gold Flash Over All,Over Nickel
 Available For 24 Or 26 AWG Wire
 Contact Type:2 Prongs For Stranded Wire
 RoHS Compliant



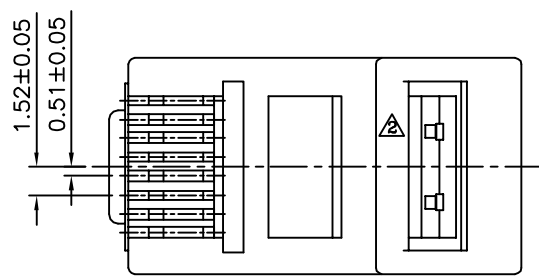
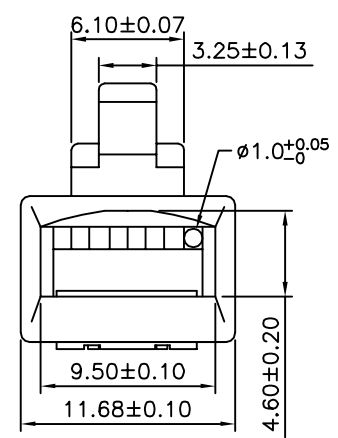
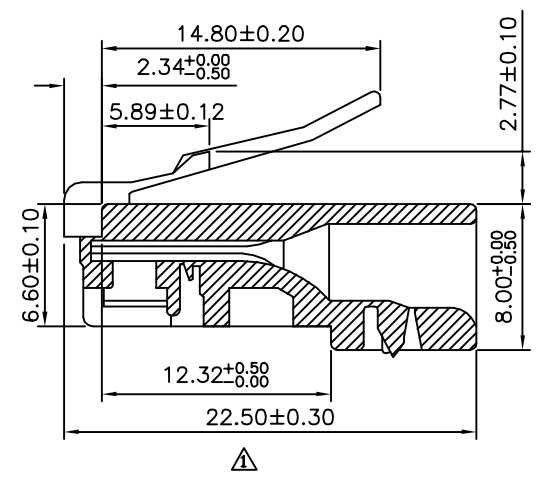
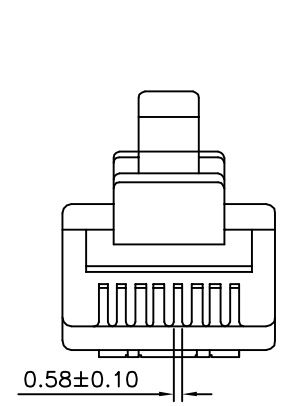
2 Prongs For Stranded Wire



2 Prongs For Solid Wire



3 Prongs For Solid Wire



4UCON 元化興業股份有限公司
 4UCON TECHNOLOGY INC.

DRAWING No.		APPROVED BY		UNLESS OTHERWISE SPECIFIED TOLERANCES ARE .X ±0.38 .XX ±0.25 ANG.
04817		EMILY		
		CHECKED BY HZF		
		DRAWING BY HTP		
SCALE	NONE	REV.	A2	UNIT mm

NO.	REV.	REVISIONS	CHK	DATE
△A2		Modify Data	HZF	03/20/2012
△A1		Modify Data	HZF	05/19/2010
△A0		NEW RELEASE	HZF	04/23/2007