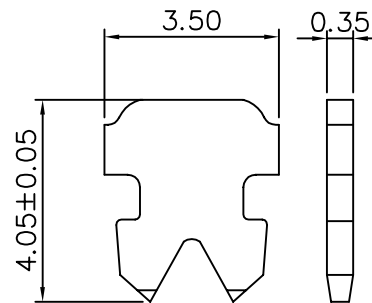
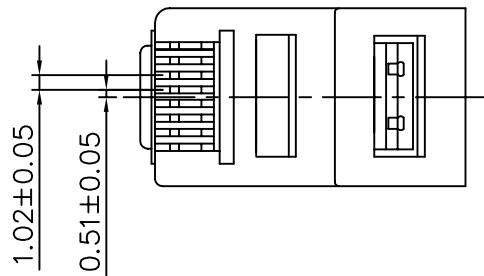
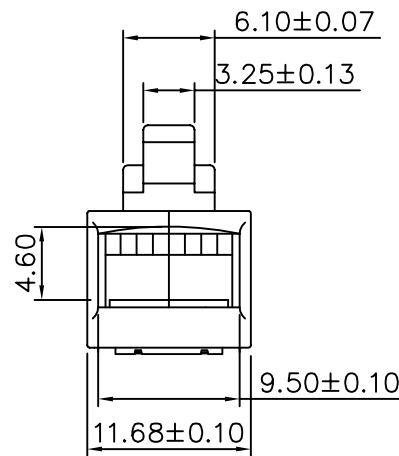
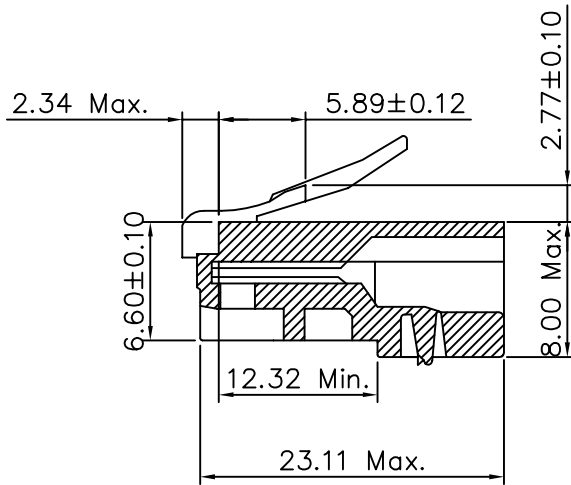
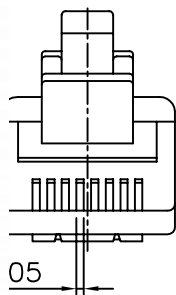


AUCON 元化興業股份有限公司
AUCON TECHNOLOGY INC.

04820

SPECIFICATIONS
Insulator : Polycarbonate ,UL 94V-2
Contact: Copper Alloy
Gold Plated 50u"



2 Prongs For Stranded Wire

DRAWING No.

APPROVED BY

MEI

CHECKED BY

RAN

DRAWING BY

HZF

UNLESS OTHERWISE SPECIFIED TOLERANCES ARE
.X ±0.38
.XX ±0.25
AWG.

SCALE

NONE

REV.

A

UNIT
mm



AREA

REVISIONS

CHK

DATE