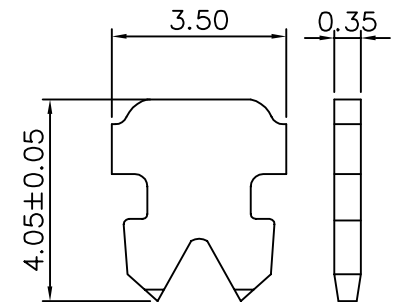
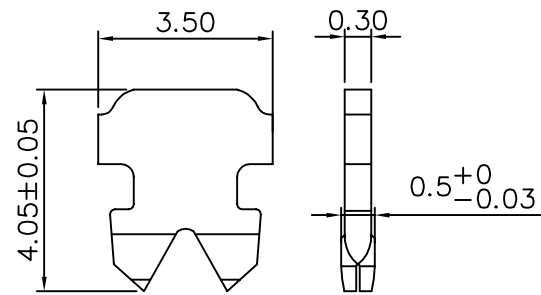
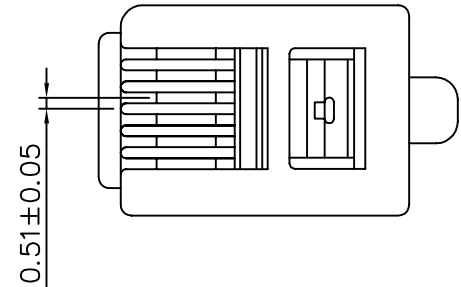


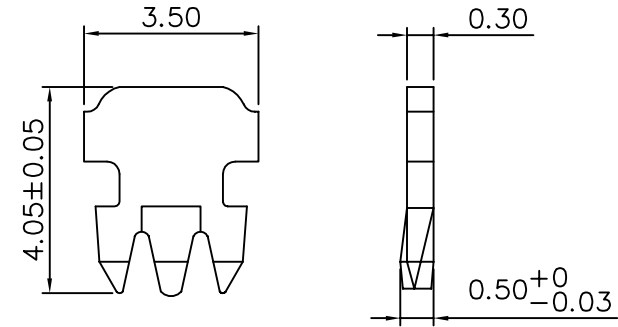
SPECIFICATIONS:
 Insulator : Polycarbonate,UL 94V-2
 Contact: Copper Alloy,Gold Flash 6u"



2 Prongs For Stranded Wire



2 Prongs For Solid Wire



3 Prongs For Solid Wire

4UCON 元化興業股份有限公司
 4UCON TECHNOLOGY INC.

DRAWING No.
 04842

APPROVED BY MEI
 CHECKED BY RAN
 DRAWING BY HZF

UNLESS OTHERWISE SPECIFIED
 TOLERANCES ARE
 .X ±0.38
 .XX ±0.25
 AWG.

SCALE NONE REV. A UNIT mm

AREA	REVISIONS	CHK	DATE