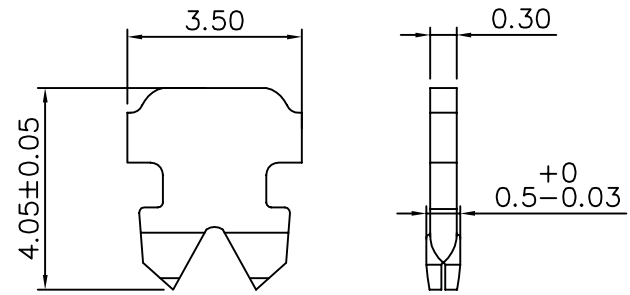
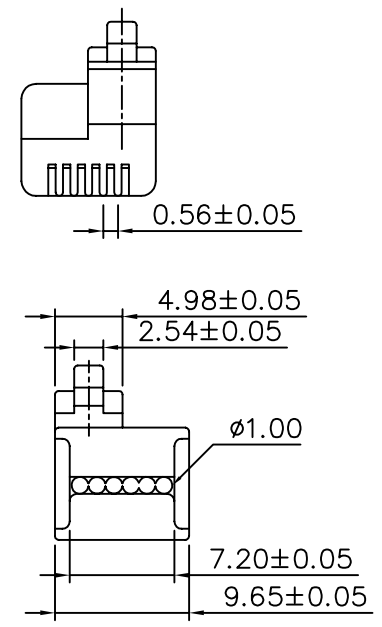
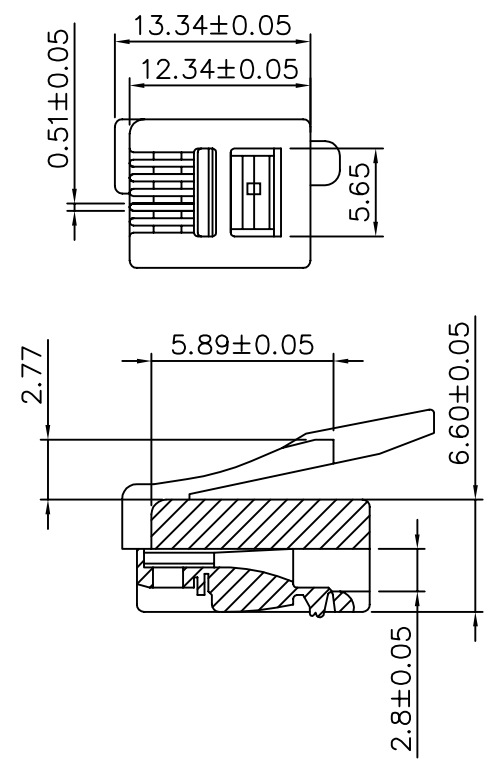
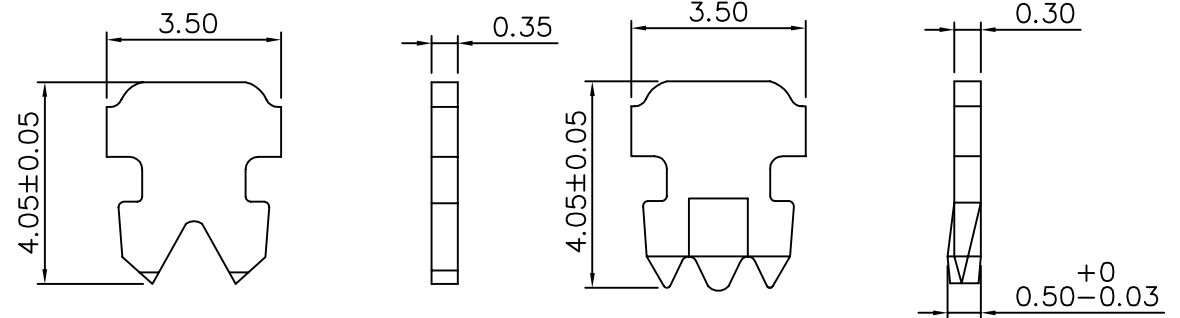


SPECIFICATIONS:
 Insulator : Polycarbonate,UL 94V-2
 Contact: Copper Alloy,Gold Flash 3u"



2.Pongs For Solid Wire (SS)



1. Pongs For Stranded Wire

3.Pongs For Solid Wire (S)

4UCON 元化興業股份有限公司
 4UCON TECHNOLOGY INC.

DRAWING No.
 04846

APPROVED BY MEI
 CHECKED BY RAN
 DRAWING BY HZF

UNLESS OTHERWISE SPECIFIED TOLERANCES ARE
 .X ±0.38
 .XX ±0.25
 .XXX

SCALE NONE

REV. A

UNIT mm

AREA REVISIONS CHK DATE