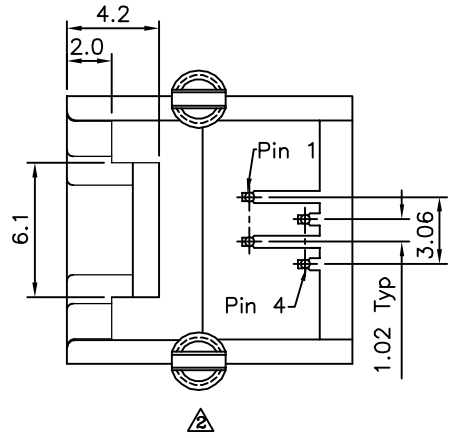
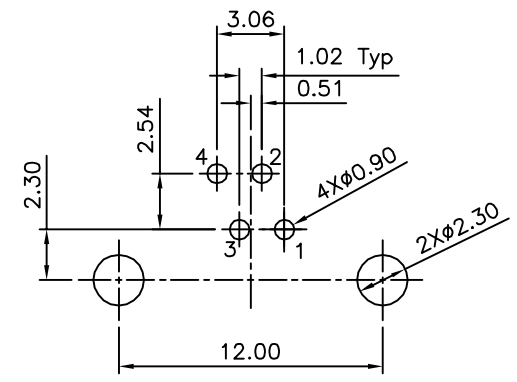
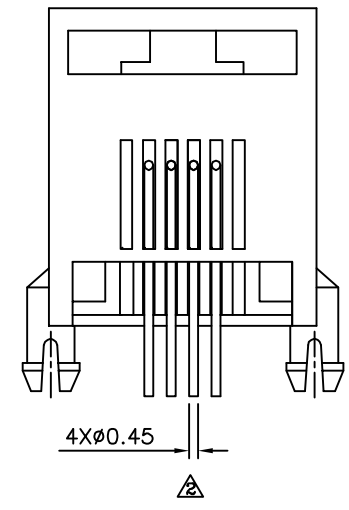
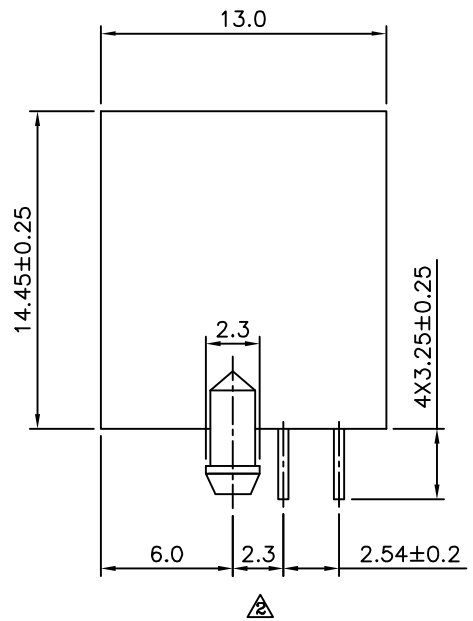
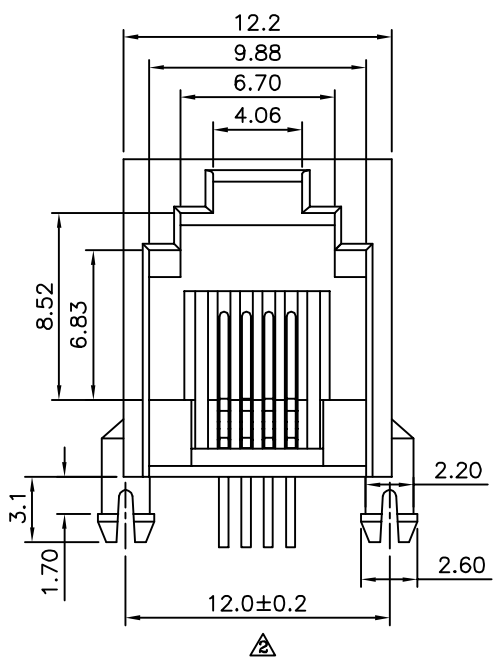


△ SPECIFICATION
 Housing:PBT+G.F.(UL94V-0),Gray
 Contacts:Phosphor Bronze
 Gold Plated 6u" Over All,Over Nickel
 Cavity Confirms To FCC Rules And
 Regulations Part 68,Subpart F
 RoHS Compliant



△ Recommended P.C.B. Layout(Top View)
 Thickness:1.6mm(PCB Board Tolerance±0.05)

4UCON 元化興業股份有限公司
 4UCON TECHNOLOGY INC.

DRAWING No.		APPROVED BY		UNLESS OTHERWISE SPECIFIED TOLERANCES ARE .X ±0.25 .XX ±0.13 .XXX ±0.05
04868		EMILY		
		CHECKED BY HZF		
		DRAWING BY WSS		
SCALE	NONE	REV.	B2	UNIT mm

NO.	REV.	REVISIONS	CHK	DATE
△ B2		Modify Data	HZF	11/21/2011
△ B1		Modify Data	EMILY	11/19/2008
△ B0		NEW RELEASE	BECKY	05/31/2006