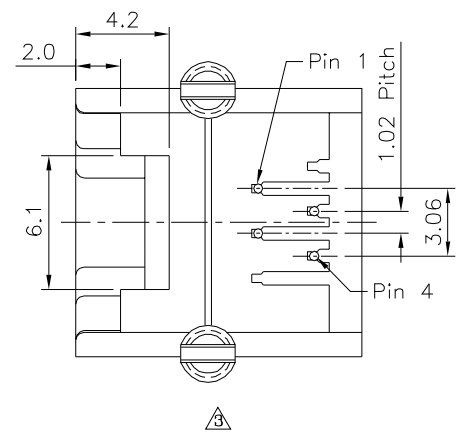
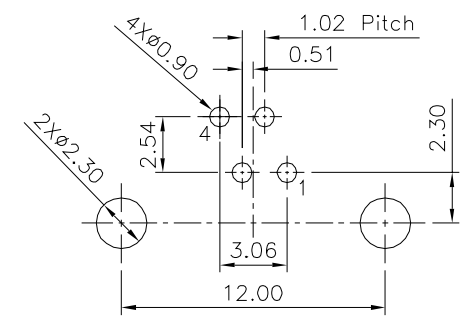


△△ SPECIFICATION
 Current Rating:1.5A Max.
 Voltage Rating:150V AC Max.
 Operating Temperature: -40°C~+85°C
 Relative Humidity: 70% ±10%RH
 Insulation Resistance:500 Megaohms Min. Initial
 At 500V DC
 Contact Resistance:20 Milliohms Max. Initial
 30 Milliohms Max. Final
 Durability:750 Cycles
 Dielectric Withstanding Voltage:
 1000V RMS. At 60Hz,1 Minute Between
 Adjacent Contacts
 1500V RMS. At 60Hz,1 Minute Between
 Shield And Contacts
 Housing:PBT+G.F.(UL94V-0),Black
 Contact:Phosphor Bronze
 Gold Plated 6u" Over All,Over Nickel
 Cavity Conforms To FCC Rules And
 Regulations Part 68,Subpart F.
 RoHS Compliant



Recommended P.C.B. Layout
 △ Recommended P.C.B. Thickness:1.6mm
 Tolerance:±0.05(Top View)

4U CON 元化興業股份有限公司
 4U CON TECHNOLOGY INC.

DRAWING No. △△△
 04871

APPROVED BY MEI
 CHECKED BY HZF
 DRAWING BY CYP

UNLESS OTHERWISE SPECIFIED TOLERANCES ARE
 △ .X ±0.25
 △△ .XX ±0.13
 △△△ .XXX ±0.05
 ANG.

SCALE NONE REV. A3 UNIT mm

△ A3	Modify Data	HZF	02/27/2019
△ A2	Modify Data	HZF	05/03/2010
△ A1	Modify Data	EMILY	11/19/2008
△ A0	NEW RELEASE	HZF	
NO. REV.	REVISIONS	CHK	DATE