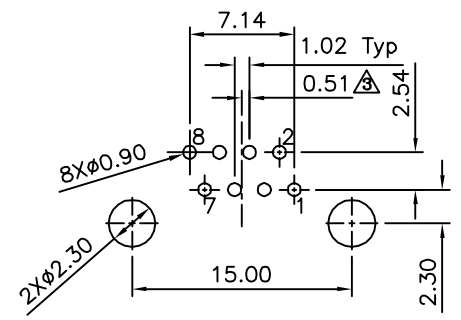
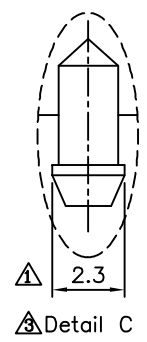
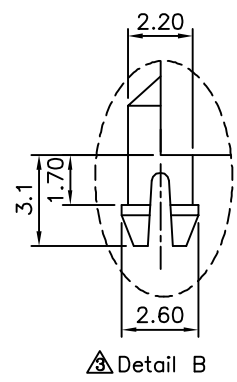
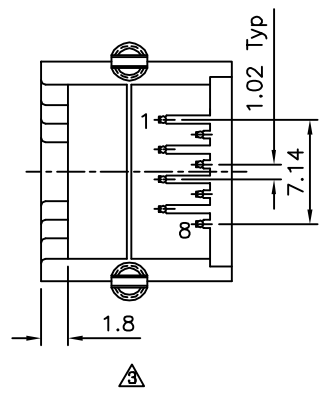
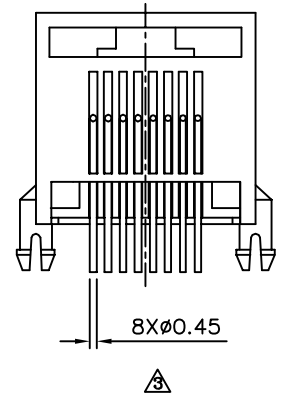
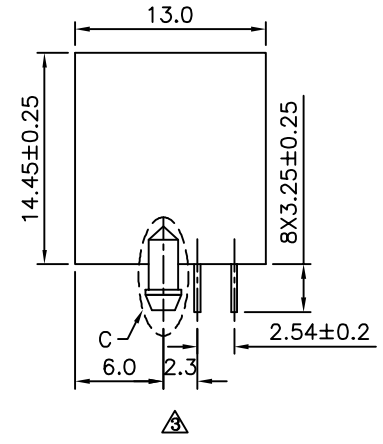
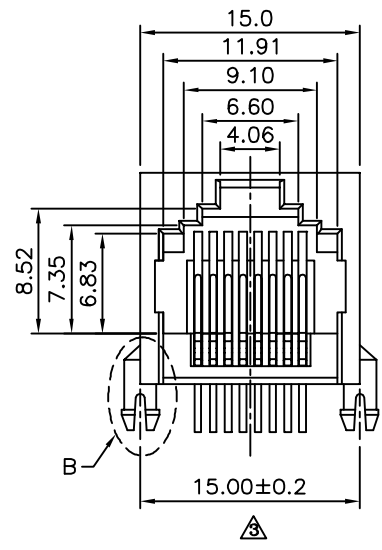


△ SPECIFICATION
 Housing:PBT+G.F.(UL94V-0),Black
 Contact:Phosphor Bronze
 Gold Plated 6u" Over All,Over Nickel
 Cavity Confirms To FCC Rules And Regulations
 Part 68,Subpart F
 RoHS Compliant



Recommended P.C.B. Layout(Top View)
 Recommended P.C.B. Thickness:1.6mm
 Tolerance:±0.05

4UCON 元化興業股份有限公司
 4UCON TECHNOLOGY INC.

DRAWING No.		APPROVED BY		UNLESS OTHERWISE SPECIFIED TOLERANCES ARE △ .X ±0.25 △ .XX ±0.13 △ .XXX ±0.05 ANG.
04878		EMILY		
		HZF		
		DRAWING BY		UNIT mm
		YBL		
SCALE	NONE	REV.	A4	NO. REV.

△ A4	Modify Data	HZF	01/17/2014
△ A3	Modify Data	HZF	10/28/2010
△ A2	Modify Data	HZF	07/06/2009
△ A1	Modify Dim.	BECKY	07/07/2006
△ A0	NEW RELEASE	RAN	
NO. REV.	REVISIONS	CHK	DATE