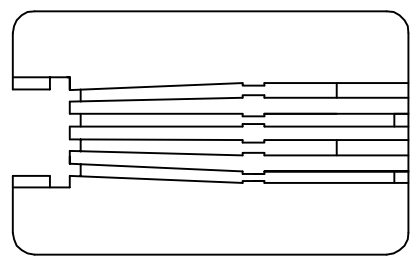
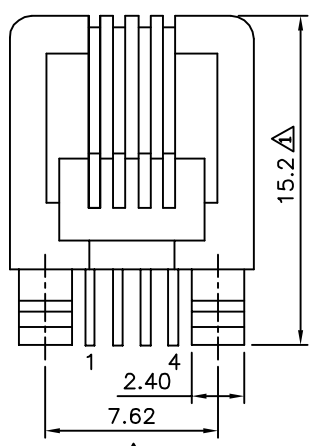


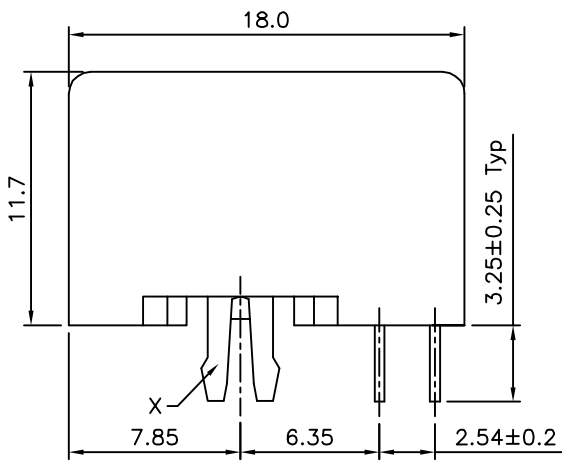
△ SPECIFICATION
 Housing: PBT+G.F.(UL94V-0), Black
 Contact: Phosphor Bronze $\phi 0.45\text{mm}$
 Gold Plated 6 μ Over All, Over Nickel
 Cavity Confirms To FCC Rules And
 Regulations Part 68, Subpart F.
 RoHS Compliant



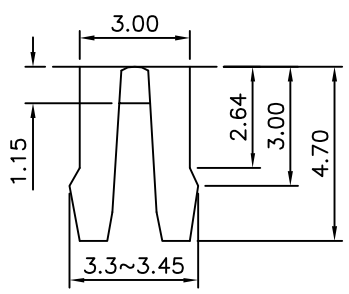
△



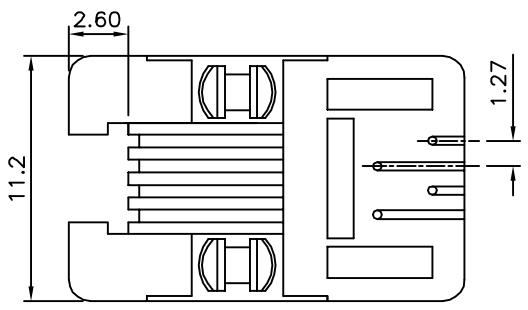
△



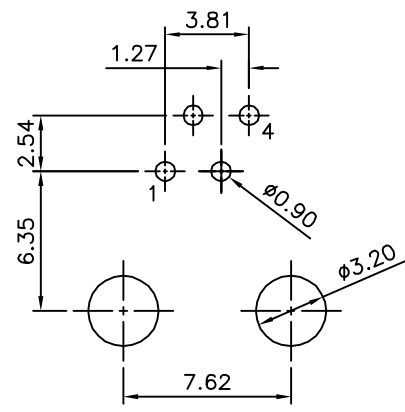
△△



△ Detail X



△△



Recommended P.C.B. Layout

4UCON 元化興業股份有限公司
 4UCON TECHNOLOGY INC.

DRAWING No.		APPROVED BY		UNLESS OTHERWISE SPECIFIED TOLERANCES ARE .X ±0.25 .XX ±0.13 .XXX ±0.05 ANG. ±0.5°						
04885		MEI				△ A3	Modify Data	HZF	10/29/2012	
		HZF				△ A2	Modify Data	HZF	08/05/2010	
		SONG				△ A1	Change Dim.	MEI	2003/04/22	
SCALE	NONE	REV.	A3	UNIT	mm	NO. REV.		REVISIONS	CHK	DATE