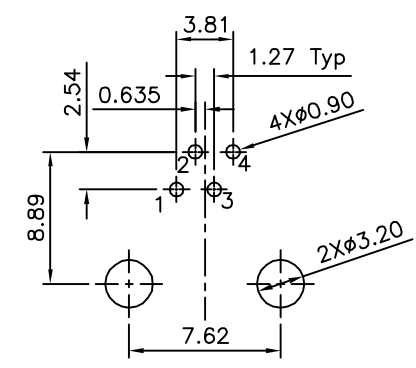
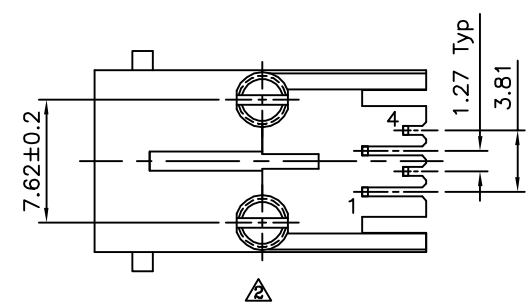
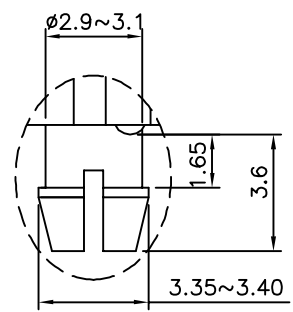
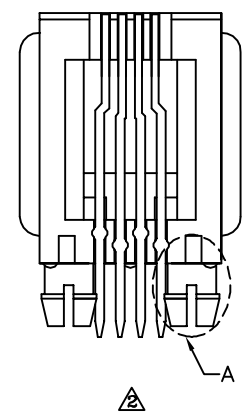
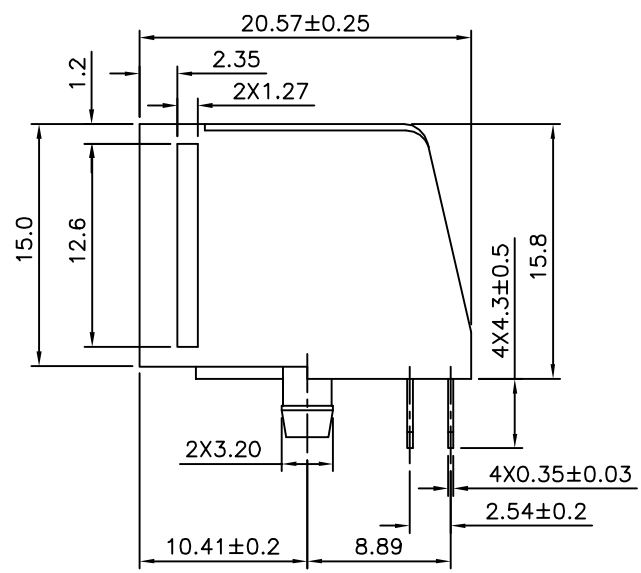
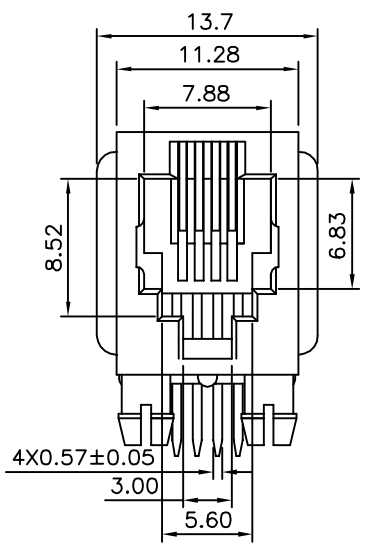


△△△ SPECIFICATION

Current Rating:1.5A Max.
 Voltage Rating:150V AC Max.
 Operating Temperature: -40°C~+85°C
 Relative Humidity: 70% ±10%RH
 Insulation Resistance:500 Megaohms Min. Initial
 At 500V DC
 Contact Resistance:20 Milliohms Max. Initial
 30 Milliohms Max. Final
 Durability:750 Cycles
 Dielectric Withstanding Voltage:
 1000V RMS. At 60Hz,1 Minute Between
 Adjacent Contacts
 1500V RMS. At 60Hz,1 Minute Between
 Shield And Contacts
 Housing:PBT+G.F.(UL94V-0),Black
 Contact:Phosphor Bronze
 Gold Plated 06u" On Contact Area,Gold
 Flash On Other Area,Over Nickel
 Cavity Conforms To FCC Rules And Regulations
 Part 68,Subpart F.
 RoHS Compliant



△ Recommended P.C.B. Layout (Top View)
 △ Recommended PCB Thickness:1.6mm
 Tolerance:±0.05

4UCON 元化興業股份有限公司
 4UCON TECHNOLOGY INC.

DRAWING No.		APPROVED BY		UNLESS OTHERWISE SPECIFIED TOLERANCES ARE .X ±0.25 .XX ±0.13 .XXX ±0.05
04900		MEI		
		CHECKED BY		
		HZF		
		DRAWING BY		
		CYP		
SCALE	NONE	REV.	A3	UNIT
				mm

△ A3	Modify Data	HZF	03/11/2016
△ A2	Modify Data	HZF	08/29/2012
△ A1	Modify Data	BECKY	06/20/2005
△ A0	NEW RELEASE	RAN	04/15/2001
NO. REV.	REVISIONS	CHK	DATE