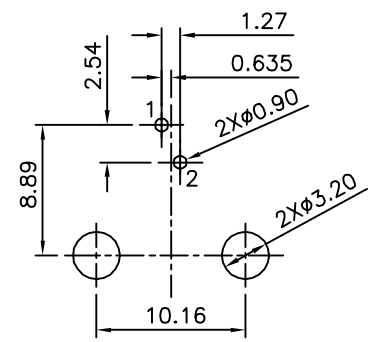
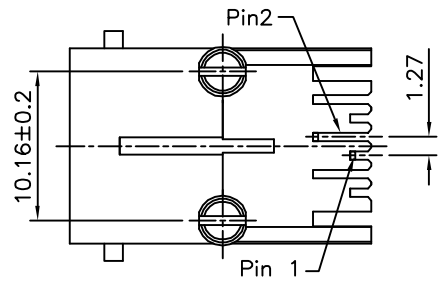
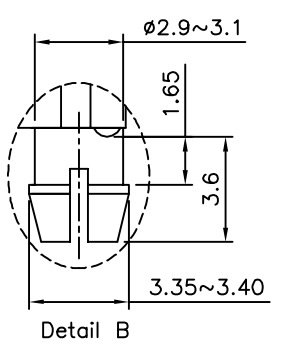


SPECIFICATION
 Housing:PBT+G.F.(UL94V-0),Black
 Contact:Phosphor Bronze
 Gold Plated 06u" On Contact Area,Gold
 Flash On Other Area,Over Nickel
 Cavity Confirms To FCC Rules And Regulations
 Part 68,Subpart F
 RoHS Compliant



Recommended P.C.B. Layout(Top View)
 Recommended PCB Thickness:1.6mm
 Tolerance:±0.05

4UCON 元化興業股份有限公司
 4UCON TECHNOLOGY INC.

DRAWING No.		APPROVED BY		UNLESS OTHERWISE SPECIFIED TOLERANCES ARE .X ±0.25 .XX ±0.13 .XXX ±0.05
04901		EMILY		
		HZF		
		DRAWING BY		
		WZL		
SCALE	NONE	REV.	A0	UNIT mm

NO.	REV.	REVISIONS	CHK	DATE
△ A0		NEW RELEASE	HZF	07/10/2011