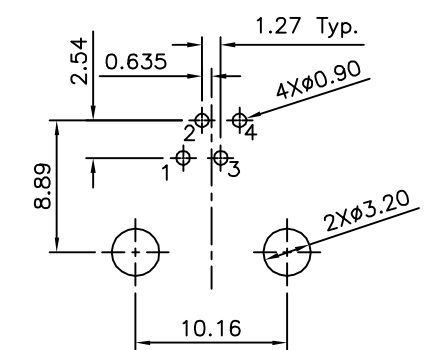
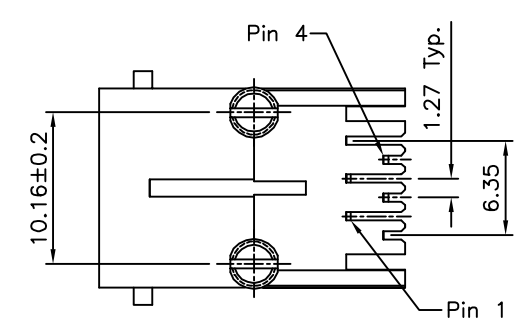
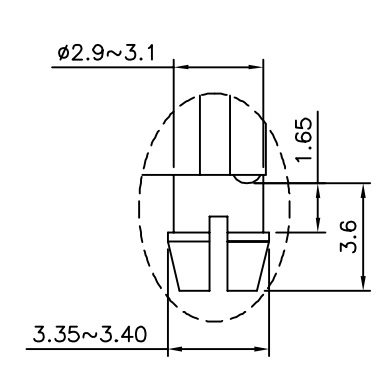
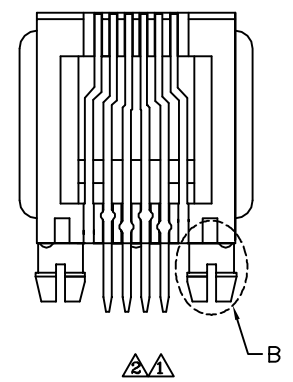


△ SPECIFICATION
 Housing:PBT+G.F.(UL94V-0),Black
 Contact:Phosphor Bronze
 Gold Plated 06u" On Contact Area,
 Gold Flash On Other Area,Over Nickel
△ Cavity Conforms To FCC Rules And Regulations
 Part 68,Subpart F.
 RoHS Compliant



Recommended PCB Layout(Top View)
 Recommended PCB Thickness:1.6mm
 Tolerance:±0.05

4UCON 元化興業股份有限公司
 4UCON TECHNOLOGY INC.

DRAWING No.		APPROVED BY		UNLESS OTHERWISE SPECIFIED TOLERANCES ARE .X ±0.25 .XX ±0.13 .XXX ±0.05
04902		MEI		
		CHECKED BY		
		HZF		
		DRAWING BY		
		CYP		
SCALE	NONE	REV.	A2	UNIT mm

NO.	REV.	REVISIONS	CHK	DATE
△A2		Modify Data	HZF	09/07/2016
△A1		Modify Data	HZF	08/08/2012
△A0		NEW RELEASE		