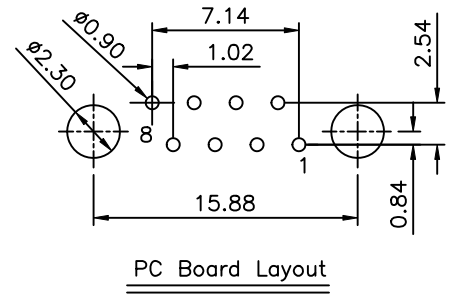
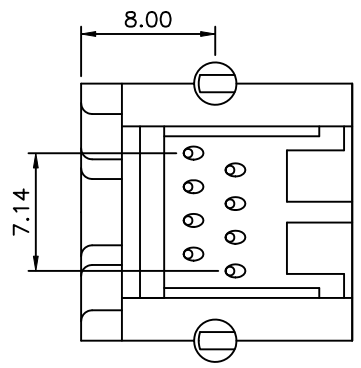
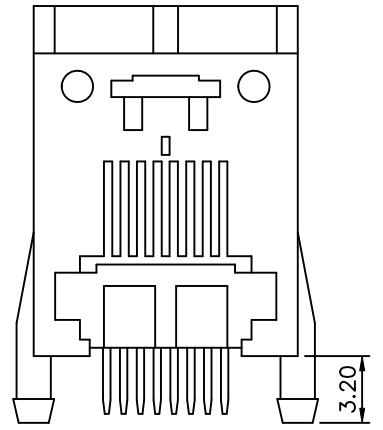
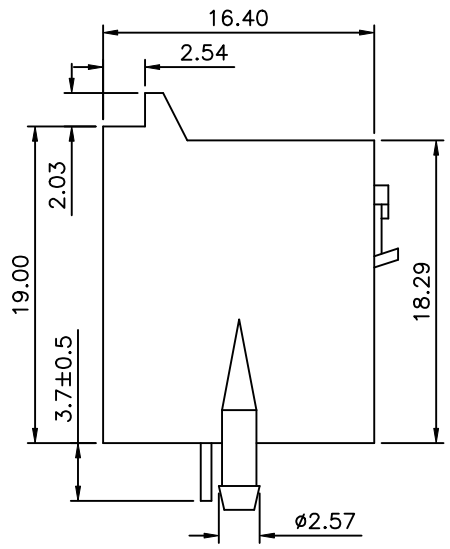
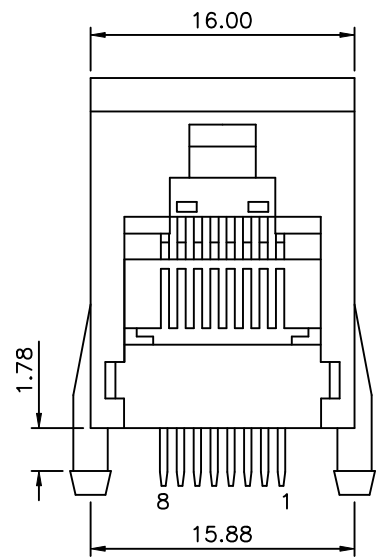


**SPECIFICATION**  
 Housing: Nylon66 Polyester UL94V-0  
 Mixed Glass Fiber, Color: Gray  
 Contact: 0.45mm Dia Round Phosphor Bronze  
 Gold Plated 6u"  
 Shorting Buss: Phosphor Bronze  
 Plated With Hard Gold  
 Cavity Confirms To FCC Rules And Regulations  
 Part 68 Subpart F  
 RoHS Compliant



**4UCON** 元化興業股份有限公司  
 4UCON TECHNOLOGY INC.

DRAWING No.		APPROVED BY		UNLESS OTHERWISE SPECIFIED TOLERANCES ARE .X ±0.25 .XX ±0.13 .XXX ±0.05 ANG: ±0.30°
04921		MEI		
		CHECKED BY		
		HZF		
		DRAWING BY		
		JLT		
SCALE	NONE	REV.	BO	UNIT
				mm

NO.	REV.	REVISIONS	CHK	DATE
△ BO		NEW RELEASE	HZF	05/15/2008