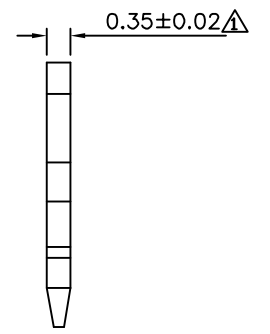
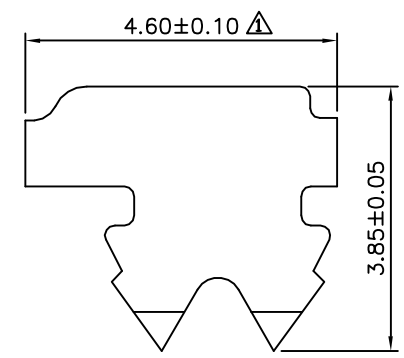
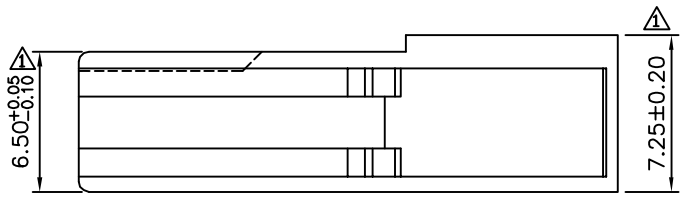
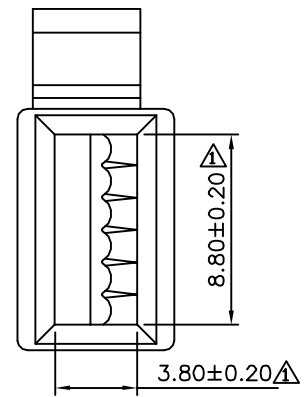
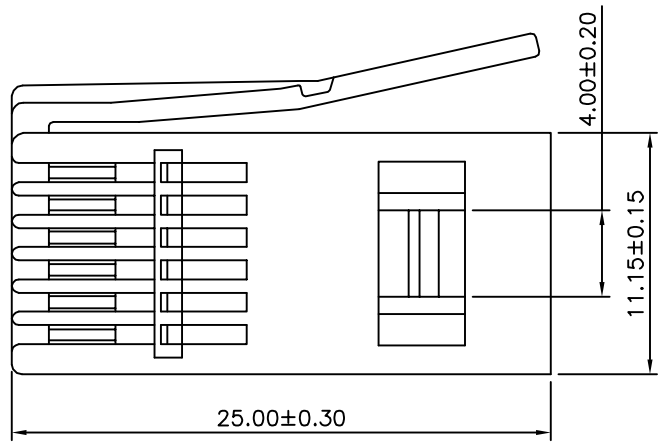
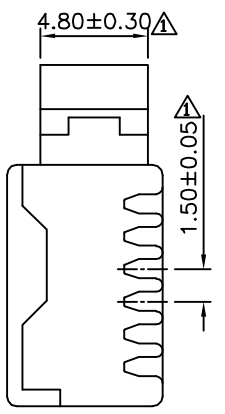


△ SPECIFICATION

Insulator:PC(UL94V-2)
 Contact:Phosphor Bronze
 Gold Plated 3u" On Contact Area,
 Gold Flash On Other Area, Over Nickel
 Available For 24 Or 26 AWG Wire
 RoHS Compliant



2 Prongs For Stranded Wire

4UCON 元化興業股份有限公司
 4UCON TECHNOLOGY INC.

DRAWING No.		APPROVED BY		UNLESS OTHERWISE SPECIFIED TOLERANCES ARE .X ±0.38 .XX ±0.25 ANG.
04961		EMILY		
		HZF		
		DRAWING BY		UNIT mm
		GAO		
SCALE	NONE	REV.	A1	

NO.	REV.	REVISIONS	CHK	DATE
△ A1		Modify Data	HZF	02/19/2013
△ A0		NEW RELEASE		