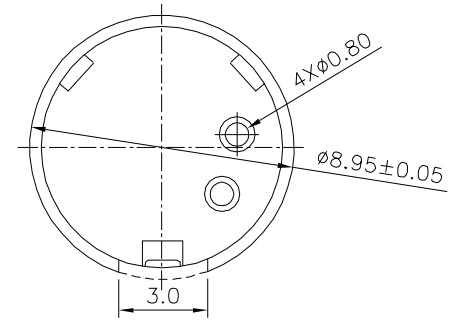
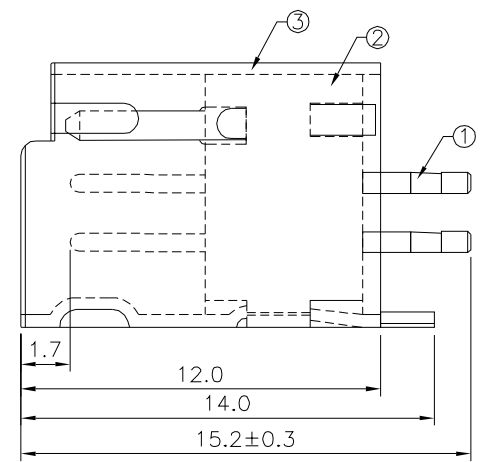
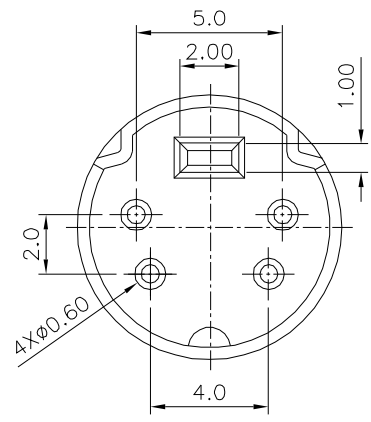


**SPECIFICATION**  
 Rating:100V AC 1A Max. Or 12V DC 2A Max.  
 Dielectric Strength:250V AC At 1 Minute  
 Insulation Resistance:50 Megaohms Min. At 250V DC  
 Contact Resistance:30 Milliohms Max.  
 RoHS Compliant



No.	Description	Q'ty	Material	Remark
①	Contact	4	Brass	Gold Flash Over All,Over Nickel
②	Insulator	1	PBT+15%G.F	UL94V-0,Black
③	Shell	1	Brass	Gold Flash Over All,Over Nickel

**4UCON** 元化興業股份有限公司  
 4UCON TECHNOLOGY INC.

DRAWING No.		APPROVED BY		UNLESS OTHERWISE SPECIFIED TOLERANCES ARE X. ±0.50 .X ±0.20 .XX ±0.10 .XXX ±0.05 ANG. ±0.5°
05163		MEI		
		CHECKED BY HZF		
DRAWING BY		CYP		
SCALE	NONE	REV.	A0	UNIT mm

NO.	REV.	REVISIONS	CHK	DATE
△ A0		NEW RELEASE	HZF	05/21/2018