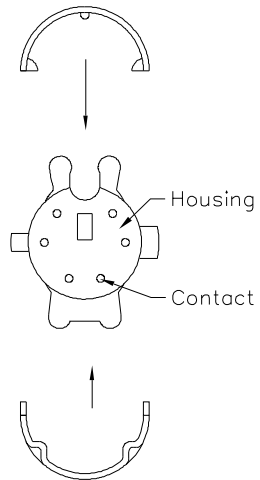
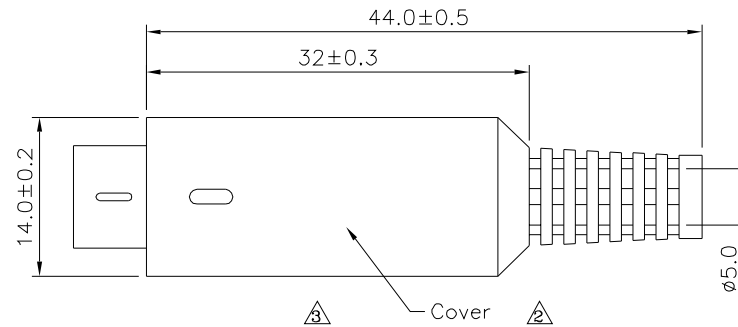
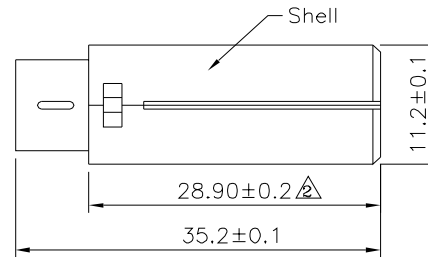
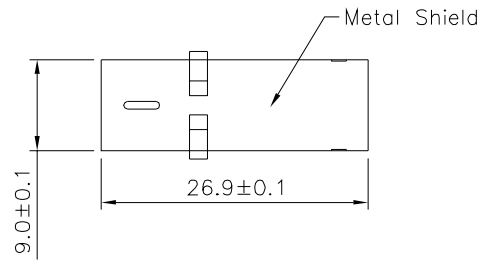


△ SPECIFICATION

Rating: 100V AC 1A Max.
 Insulation Resistance: 50 Megaohms Min. At 500V DC
 Dielectric Strength: 500V AC/1 Minute
 Insertion Force: 4.5kg Max.
 Withdrawal Force: 0.9kg~3kg
 Cover: EVA+PE(2L)
 Shell: ABS
 Metal Shield: Brass, Nickel Plated
 △ Housing: PA6+FB
 Contact: Brass, Silver Plated
 RoHS Compliant



| | | | | | |
|-------|-------|-------|-------|-------|-------|
| | | | | | |
| 05187 | 05188 | 05190 | 05191 | 05193 | 05194 |

4UCON 元化興業股份有限公司
 4UCON TECHNOLOGY INC.

| | | | | | | | | |
|-------------|----|-------------|----|--|-------------|-------------|------------|------------|
| DRAWING No. | | APPROVED BY | | UNLESS OTHERWISE SPECIFIED TOLERANCES ARE .X ±0.20 △ .XX ±0.10 ANG. | △ B4 | Modify Data | HZF | 03/07/2018 |
| 05193 | | MEI | | | △ B3 | Modify Data | HZF | 08/10/2015 |
| | | CHECKED BY | | | △ B2 | Modify Data | HZF | 08/23/2013 |
| SCALE NONE | | DRAWING BY | | △ B1 | Add UL94V-0 | HZF | 11/23/2010 | |
| | | CYP | | △ B0 | NEW RELEASE | EMILY | 09/17/2008 | |
| REV. | B4 | UNIT | mm | NO. REV. | REVISIONS | | CHK | DATE |