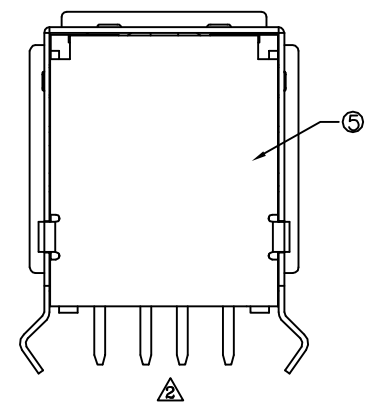
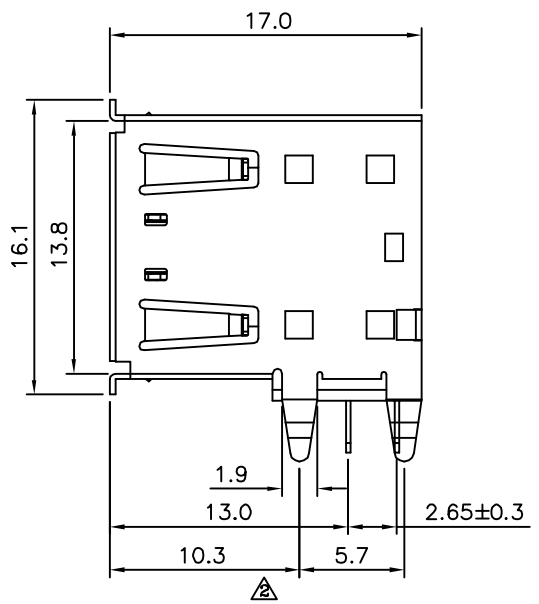
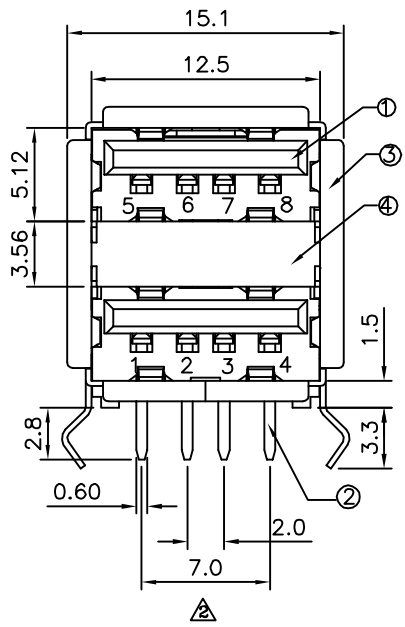


P.C.B. Layout(Bottom View)

SPECIFICATION

Rated Voltage And Current:1.5A At 250V AC Min.
 Withstand Voltage:750V AC RMS For 1 Minute(Rev. 1.1)
 Contact Resistance:30 Milliohms Max.
 Insulation Resistance:1000 Megaohms Min. At 500V DC
 Operature Temperature:-55°C~+85°C
 RoHS Compliant



Insulator Color	Item No.
White	05242
Black	05243

No.	Description	Q'ty	Material	Remark
①	Housing	1	PBT+G.F.	---
②	Terminal	8	Phosphor Bronze	Gold Flash On Contact Area,Tin Plated On Solder Tail,Over Nickel
③	Shell	1	Brass	Nickel Plated
④	Spring Clip	1	Brass	Nickel Plated
⑤	Rear Shell	1	Steel	Nickel Plated

4UCON 元化興業股份有限公司
 4UCON TECHNOLOGY INC.

DRAWING No. **05243**

APPROVED BY MEI
 CHECKED BY HZF
 DRAWING BY XYH

UNLESS OTHERWISE SPECIFIED TOLERANCES ARE
 X. ±0.38
 .X ±0.25
 .XX ±0.13
 .XXX ±0.05

SCALE NONE REV. A2 UNIT mm

NO.	REV.	REVISIONS	CHK	DATE
△A2		Modify Data	HZF	02/08/2022
△A1		Modify Data	HZF	06/12/2009
△A0		NEW RELEASE		