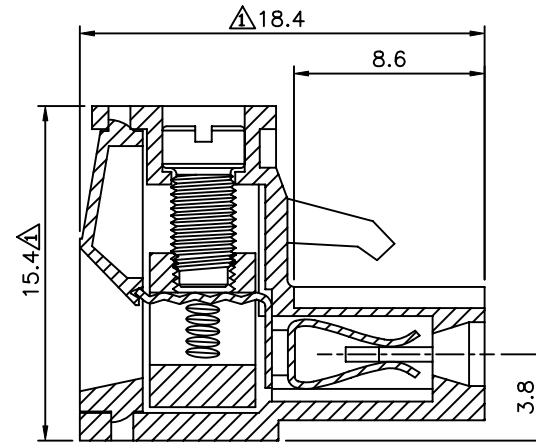
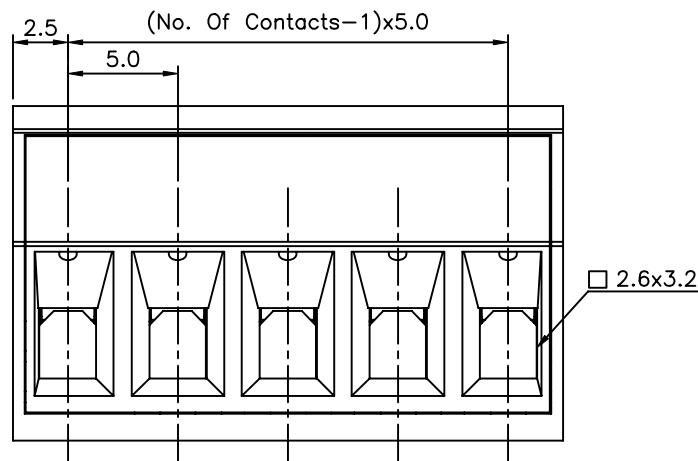
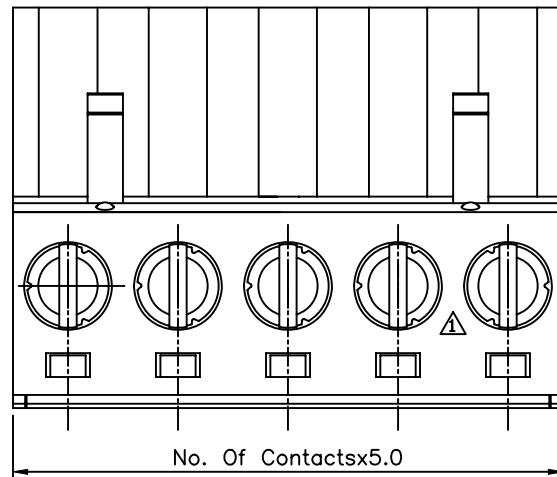


△ SPECIFICATION

Voltage Rating:250V AC
 Current Rating:10 Amp/Way Max.
 Contact Resistance:20 Milliohms Max.
 Insulation Resistance:5000 Megohms/1000V
 Withstanding Voltage:1500V AC(1 Minute) Test Time=60Sec./1PCS
 Wire Range:12~26AWG
 Torque:4.3 kgf.cm/M3
 Operation Temperature:-40°C~+120°C
 Contact(Metal Housing):Copper Alloy
 Terminal Screw:Steel,Galvanized With Cr3+ Plated
 Wire Guard:Copper Alloy,Tin Plated
 Insulator Body(Housing):Polyamide(Glass Filled)(UL94V-0),Green
 RoHS Compliant



4UCON 元化興業股份有限公司
 4UCON TECHNOLOGY INC.

DRAWING No.		APPROVED BY		UNLESS OTHERWISE SPECIFIED TOLERANCES ARE X. ±0.50 .X ±0.30 .XX ±0.20 ANG. ±1°			
05298		MEI					
		CHECKED BY					
		HZF					
		DRAWING BY					
		WZL			△ A1	Modify Data	HZF 07/13/2010
		REV.		A1	△ A0	NEW RELEASE	HZF 05/13/2009
SCALE	NONE	UNIT	mm		NO. REV.	REVISIONS	CHK DATE