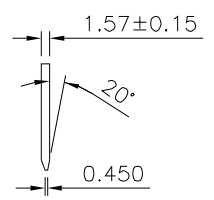
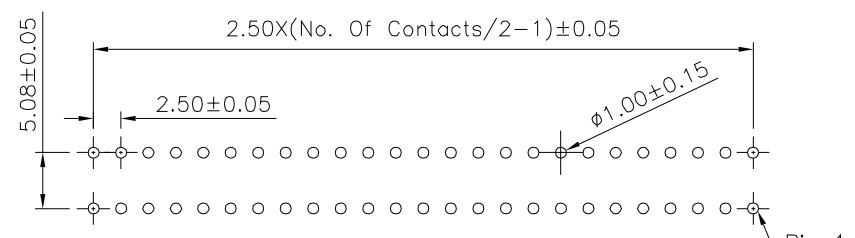


△Connecting Finger Layout

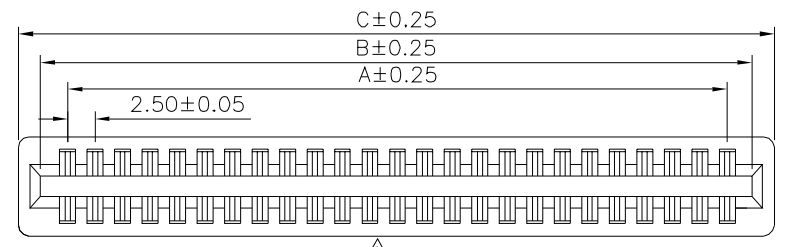


△SPECIFICATION

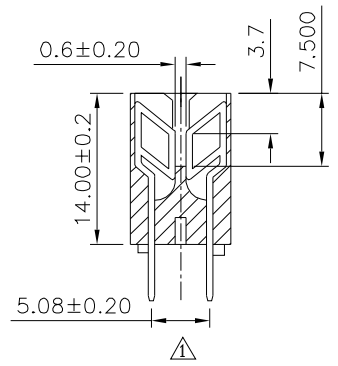
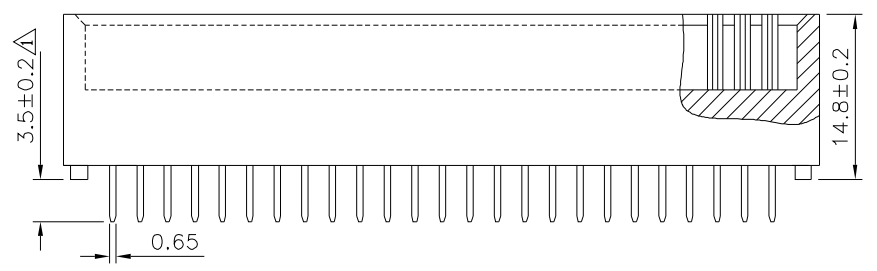
Current Rating: 3 Amp
 Dielectric Withstanding Voltage: 1000V AC/Minute
 Contact Resistance: 20 Milliohms Max.
 Insulation Resistance: 5000 Megaohms Min. At 500V DC
 Operating Temperature: -55°C~+85°C
 Insertion Force: 340g Max. Per Pair
 Withdrawal Force: 28g Min. Per Pair
 Housing: PBT+G.F.(UL94V-0)
 Contact: Brass, Gold Plated Over Nickel
 RoHS Compliant



△Recommended P.C.B. Layout



△



△

Pin	A	B	C
46	55.00	61.46	65.02
50	60.00	66.54	70.10

4UCON 元化興業股份有限公司
 4UCON TECHNOLOGY INC.

DRAWING No. △
 05360
 SCALE NONE

APPROVED BY EMILY
 CHECKED BY HZF
 DRAWING BY CYP
 REV. A1

UNLESS OTHERWISE SPECIFIED TOLERANCES ARE
 .X ±0.38
 .XX ±0.25 △
 ANG.
 UNIT mm

NO.	REV.	REVISIONS	CHK	DATE
△A1		Modify Data	HZF	07/14/2021
△A0		NEW RELEASE	HZF	03/30/2015