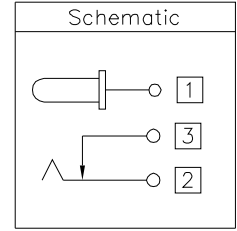
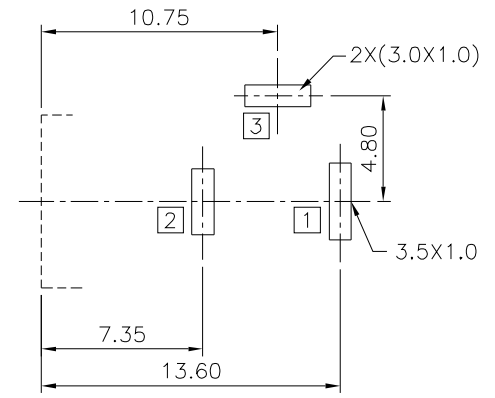
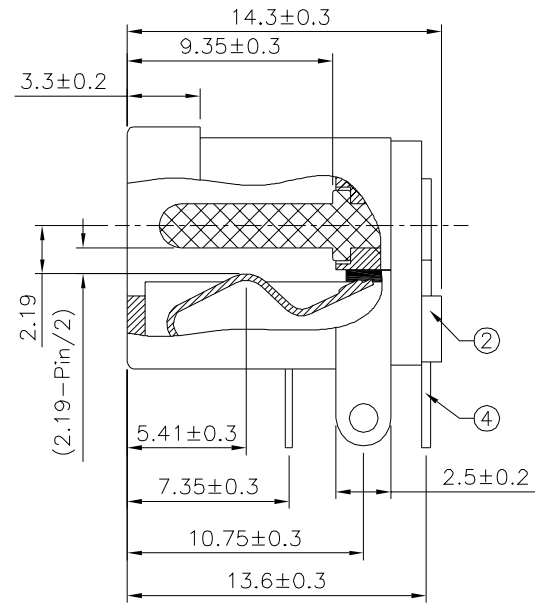
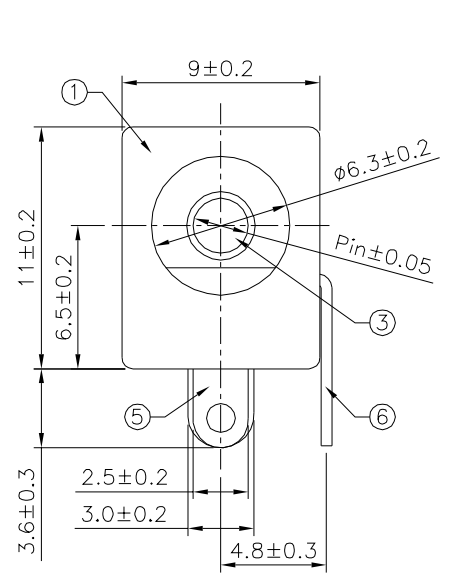


SPECIFICATION

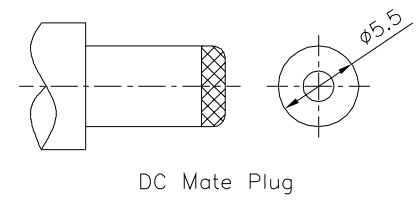
Rating:DC 12V/3A(48V,1.5A)
 Contact Resistance:30 Milliohms Max.
 After Test:50 Milliohms Max.
 Insulation Resistance:100 Megaohms Min.(500V DC)
 After Test:50 Megaohms Min.
 Withstand Voltage:500V AC
 Insertion And Extraction Force:3~30N
 Life Test:5000 Cycles Min.
 Operation Temperature Range:-20°C~+70°C
 Storage Temperature Range:-40°C~+85°C
 RoHS Compliant



Pin Diameter	Item No.
Pin ϕ 2.0	05537
Pin ϕ 2.35	09050
Pin ϕ 2.5	05338



Recommended P.C.B. Layout(Bottom View)
 (PCB Board Tolerance \pm 0.05)



○ :Item No. □ :Terminal

No.	Description	Q'ty	Material	Remark
⑥	Shunt Terminal	3	1 Brass	Tin Plated
⑤	Tip Spring	2	1 Phosphor Bronze	Tin Plated
④	Center Pin Terminal	1	1 Brass	Tin Plated
③	Center Pin	1	1 Brass	CuSn Plated
②	Cover	1	1 PBT,UL94V-0	Black
①	Housing	1	1 PBT,UL94V-0	Black

4UCON 元化興業股份有限公司
 4UCON TECHNOLOGY INC.

DRAWING No.
05537

APPROVED BY
 MEI
 CHECKED BY
 HZF
 DRAWING BY
 CYP
 REV. CO

UNLESS OTHERWISE SPECIFIED TOLERANCES ARE
 .X \pm 0.50 X.* \pm 5°
 .XX \pm 0.30 .X* \pm 3°
 .XXX \pm 0.15 .XX* \pm 2°
 UNIT mm

△	CO	NEW RELEASE	HZF	03/25/2021
NO.	REV.	REVISIONS	CHK	DATE