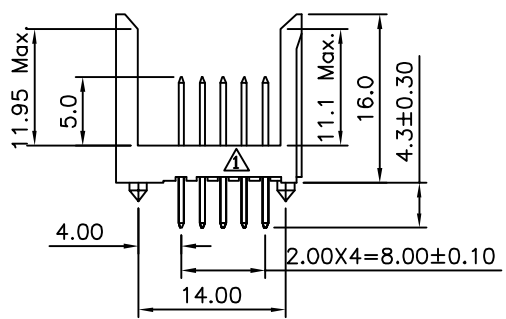
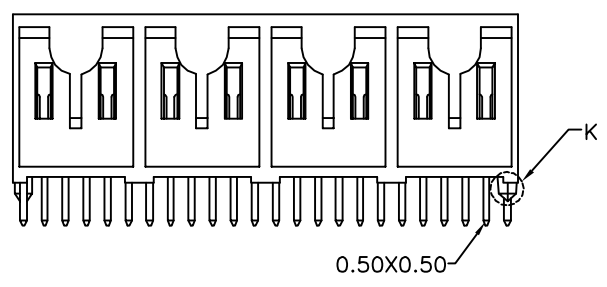
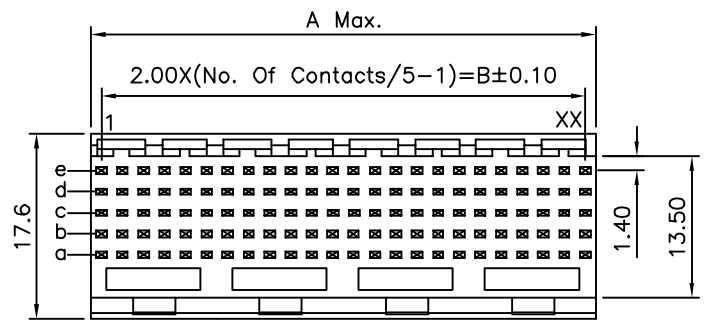
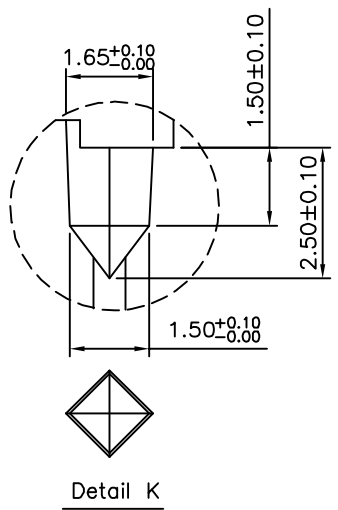
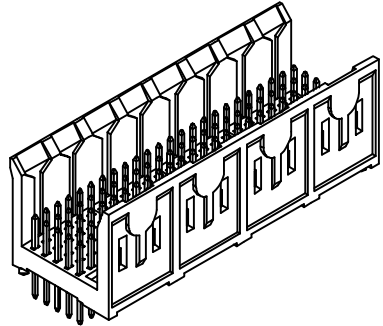
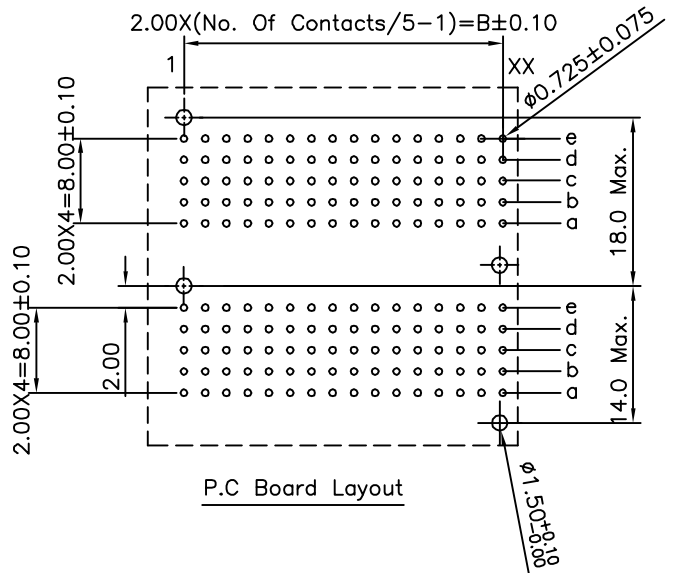


**SPECIFICATION**

Current Rating:1 Amp  
 Dielectric Withstanding Voltage:AC 1000V For 1 Minute  
 Insulation Resistance:1000 Megaohms Min. At DC 500V  
 Contact Resistance:30 Milliohms Max. At DC 100mA  
 Operation Temperature:-65°C~+125°C  
 Housing:LCP(UL94V-0)  
 Contact:Brass  
 Gold Plated 10u" On Contact Area,Tin Plated  
 On Solder Tails,Over Nickel  
 RoHS Compliant



Pin	A	B	Pin	A	B
30	11.95	10.0	240	95.95	94.0
60	23.95	22.0	270	107.95	106.0
90	35.95	34.0	300	119.95	118.0
120	47.95	46.0	330	131.95	130.0
150	59.95	58.0	360	143.95	142.0
180	71.95	70.0	390	155.95	154.0
210	83.95	82.0			

**4UCON** 元化興業股份有限公司  
 4UCON TECHNOLOGY INC.

DRAWING No.		APPROVED BY		UNLESS OTHERWISE SPECIFIED TOLERANCES ARE X. ±0.5 .X ±0.25 .XX ±0.15
05590		MEI		
		CHECKED BY	HZF	
		DRAWING BY	SONG	
SCALE	NONE	REV.	A1	UNIT mm

NO.	REV.	REVISIONS	CHK	DATE
△A1		Modify Data	HZF	03/29/2012
△A0		NEW RELEASE	HZF	01/02/2009