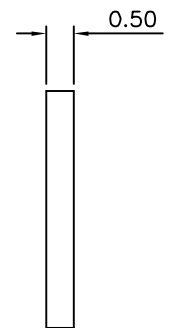
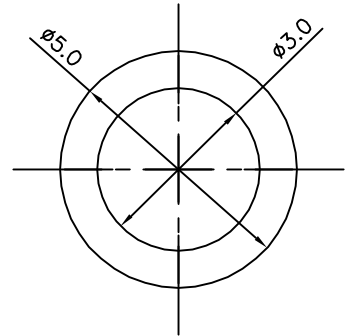
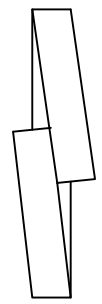
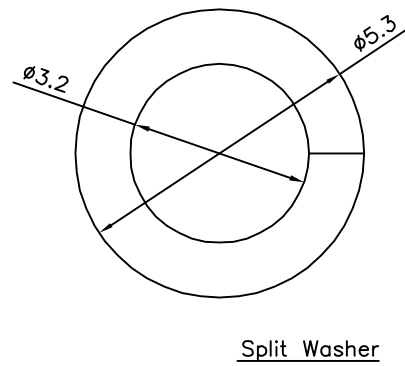
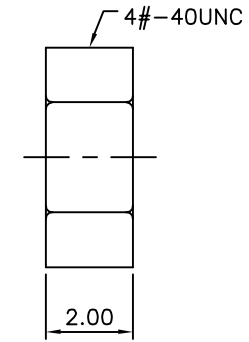
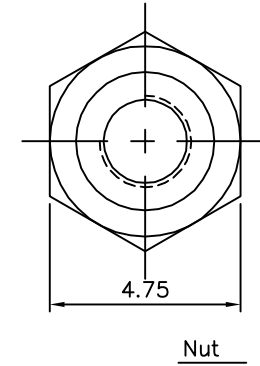
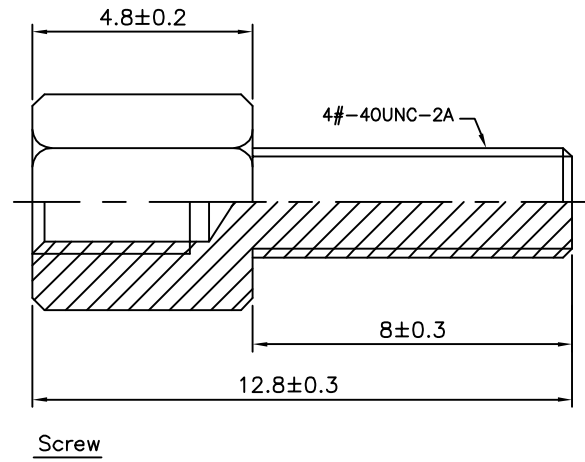
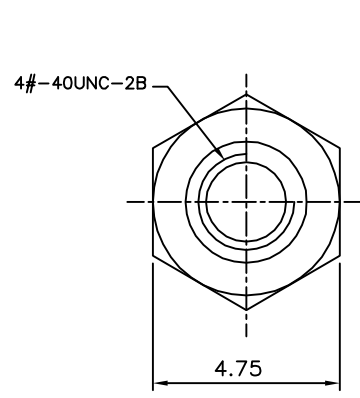


**SPECIFICATION**  
 Screw: Copper, Nickel Plated  
 Nut: Steel, Nickel Plated  
 Washer: Steel, Nickel Plated  
 Q'ty: Screw, Flat Washer, Split Washer & Nut  
 Each Of 2PCS/Bag  
 RoHS Compliant



**4UCON** 元化興業股份有限公司  
 4UCON TECHNOLOGY INC.

|             |      |             |    |  |
|-------------|------|-------------|----|--|
| DRAWING No. |      | APPROVED BY |    | UNLESS OTHERWISE SPECIFIED TOLERANCES ARE<br>.X ± 0.38<br>.XX ± 0.25<br>ANG. |
| 05615       |      | MEI         |    |  |
|             |      | CHECKED BY  |    |  |
|             |      | HZF         |    |  |
|             |      | DRAWING BY  |    | UNIT mm  |
|             |      | QQJ         |    |  |
| SCALE       | NONE | REV.        | BO | NO. REV.   |

|          |             |     |            |
|----------|-------------|-----|------------|
| BO       | NEW RELEASE | HZF | 09/24/2010 |
| NO. REV. | REVISIONS   | CHK | DATE       |