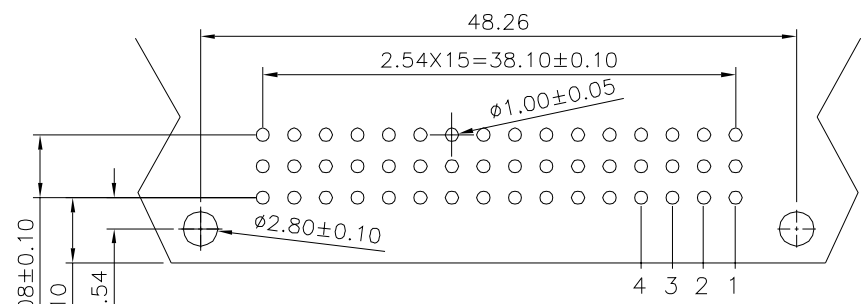
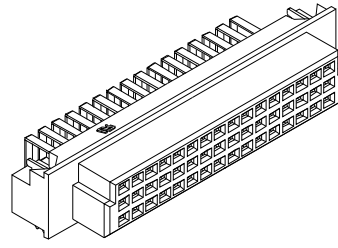


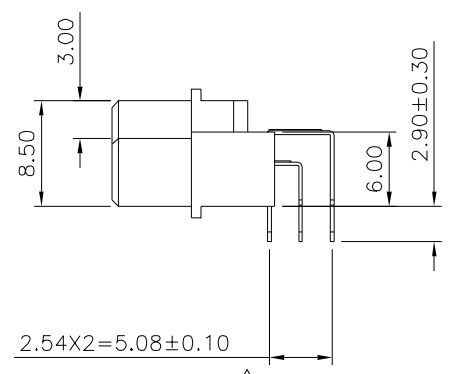
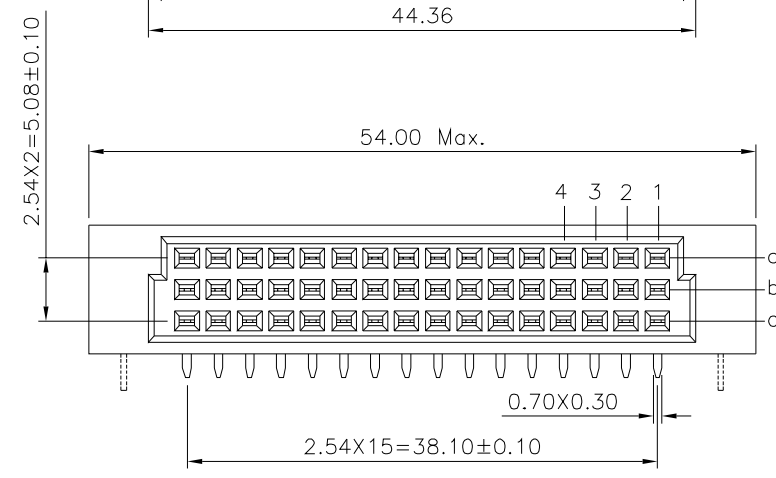
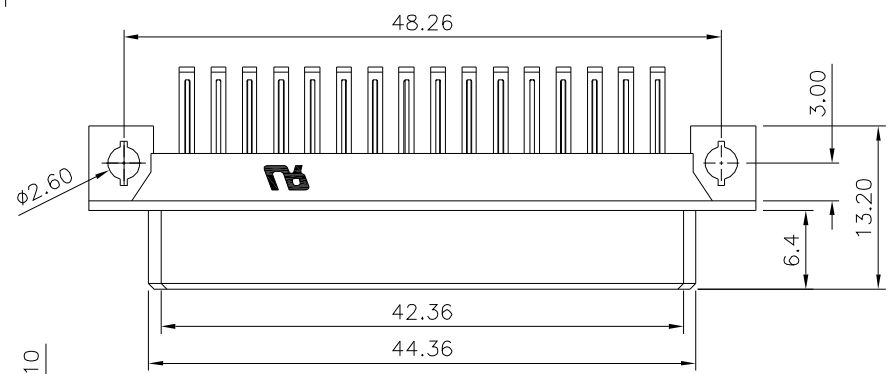
△ SPECIFICATION
 Current Rating: 2 Amp
 Dielectric Withstanding Voltage: 1000V AC For 1 Minute
 Insulation Resistance: 1000 Megaohms Min. At 500V DC
 Contact Resistance: 20 Milliohms Max. At 100mA DC
 Operation Temperature: -55°C ~ +125°C
 △ Housing: PBT(UL94V-0), Beige
 Contacts: Phosphor Bronze, Gold Plated On Contact Area,
 Tin Plated On Solder Tails, Over Nickel △
 Boardlock: Phosphor Bronze, Nickel Plated
 RoHS Compliant



Recommended P.C.B. Layout

(1) 16: Pin/Row, Full Pin (Pitch=2.54mm)
 8: Pin/Row, Removed Odd Pin (Pitch=5.08mm)

△ (2) Boardlock Options (Standard W/O Boardlock)



| Pitch | Position | Rows With Contacts | Contact Arrange |
|--------|----------|--------------------|--|
| 5.08mm | 8 | a - - | <pre> + + + + + + + + ■ + ■ + 4 3 2 1 </pre> |
| | 16 | a - c | <pre> ■ + ■ + + + + + ■ + ■ + 4 3 2 1 </pre> |
| | 24 | a b c | <pre> ■ + ■ + ■ + ■ + ■ + ■ + 4 3 2 1 </pre> |
| 2.54mm | 16 | a - - | <pre> + + + + + + + + ■ ■ ■ ■ 4 3 2 1 </pre> |
| | 32 | a - c | <pre> ■ + ■ + + + + + ■ ■ ■ ■ 4 3 2 1 </pre> |
| | 48 | a b c | <pre> ■ ■ ■ ■ ■ + ■ + ■ ■ ■ ■ 4 3 2 1 </pre> |

4UCON 元化興業股份有限公司
 4UCON TECHNOLOGY INC.

| | | | | |
|---------------|--|----------------|--|---|
| DRAWING No. △ | | APPROVED BY | | UNLESS OTHERWISE SPECIFIED TOLERANCES ARE X. ±0.5 .X ±0.25 .XX ±0.15 |
| 05644 | | MEI | | |
| | | CHECKED BY HZF | | |
| SCALE NONE | | DRAWING BY CYP | | UNIT mm |
| REV. B3 | | REV. B3 | | |

| NO. | REV. | REVISIONS | CHK | DATE |
|-----|------|-------------|-----|------------|
| △3 | B3 | Modify Data | HZF | 01/24/2021 |
| △2 | B2 | Modify Data | HZF | 05/24/2018 |
| △1 | B1 | Modify Data | HZF | 09/04/2013 |
| △0 | B0 | NEW RELEASE | HZF | 08/20/2009 |