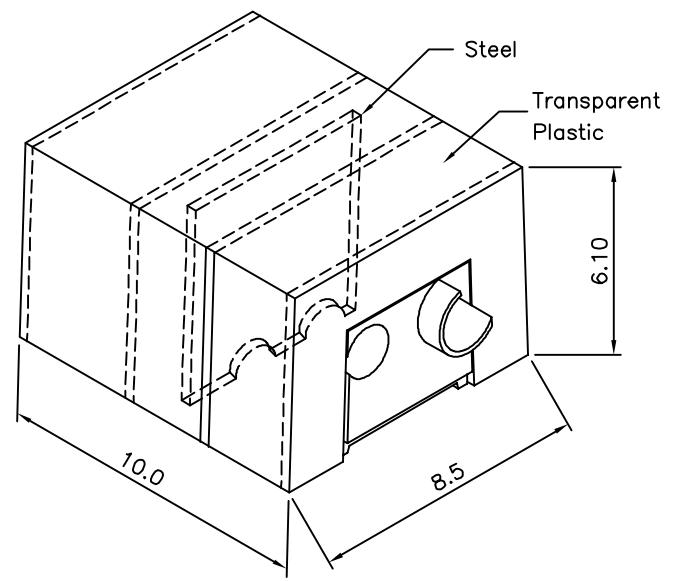


**△ SPECIFICATION**

Insulation O.D.:1.52 Max.  
 Cable Type PIC-Unfilled And PIC Filled  
 AWG:22~26(Metric:0.7~0.4mm)  
 Cable Type:Pulp Or Paper  
 AWG:22~26(Metric:0.7~0.4mm)  
 RoHS Compliant



**4UCON** 元化興業股份有限公司  
 4UCON TECHNOLOGY INC.

|             |    |                |  |  |
|-------------|----|----------------|--|--|
| DRAWING No. |    | APPROVED BY    |  | UNLESS OTHERWISE SPECIFIED TOLERANCES ARE<br>.X ±0.38<br>.XX ±0.25<br>ANG. |
| 05651       |    | EMILY          |  |  |
|             |    | CHECKED BY HZF |  |  |
| SCALE       |    | DRAWING BY     |  | UNIT<br>mm   |
| NONE        |    | GAO            |  |  |
| REV.        | A1 |                |  |  |

|      |      |              |       |            |
|------|------|--------------|-------|------------|
| NO.  | REV. | REVISIONS    | CHK   | DATE       |
| △ A1 |      | Modify Spec. | HZF   | 09/19/2012 |
| △ A0 |      | NEW RELEASE  | BECKY | 10/20/2005 |