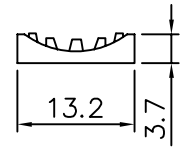
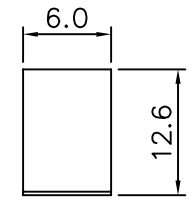
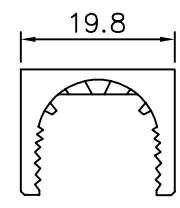
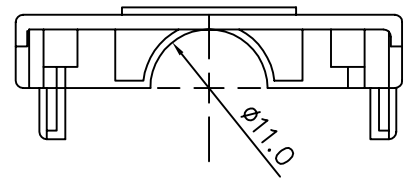
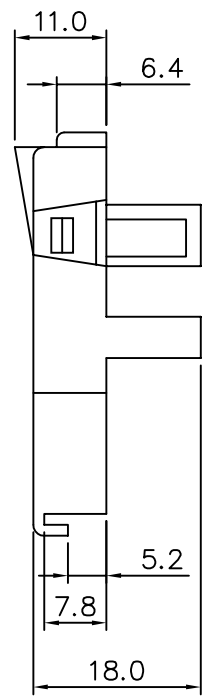
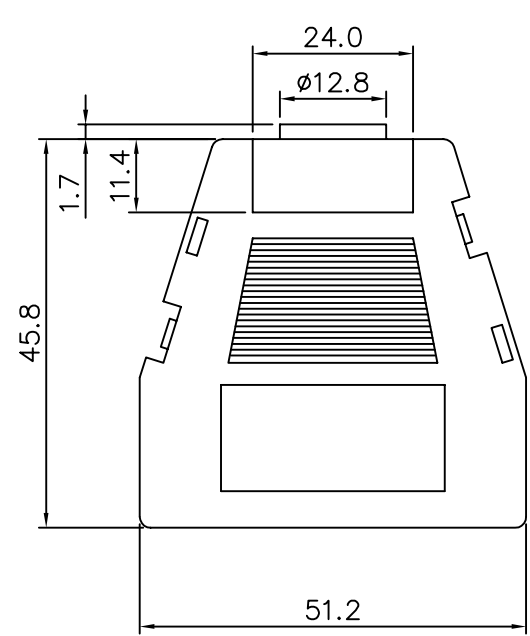


SPECIFICATIONS
Insulator: ABS UL 94HB



4UCON 元化興業股份有限公司
4UCON TECHNOLOGY INC.

DRAWING No.
05770

APPROVED BY
MEI
CHECKED BY
RAN
DRAWING BY
HZF

UNLESS OTHERWISE SPECIFIED
TOLERANCES ARE
X. ±0.5
.X ±0.25
.XX ±0.15

SCALE NONE REV. A

UNIT mm

AREA	REVISIONS	CHK	DATE