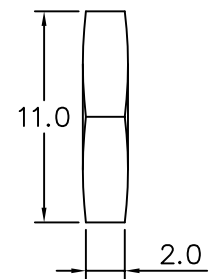
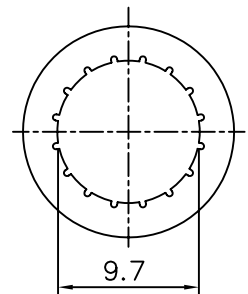
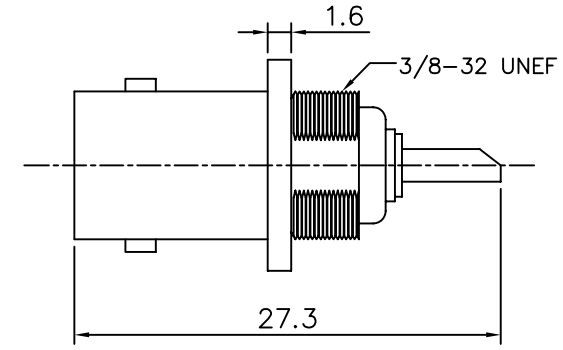
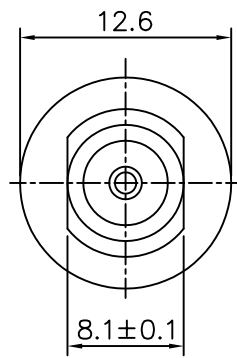
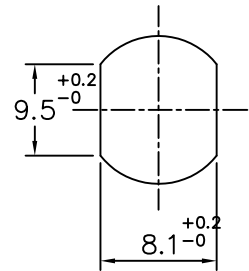
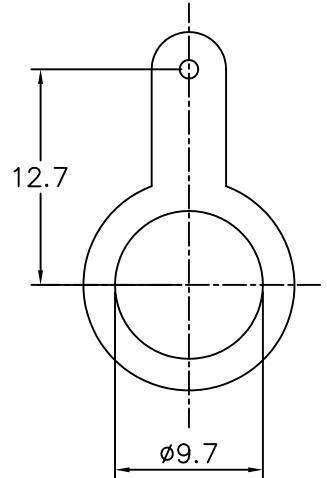
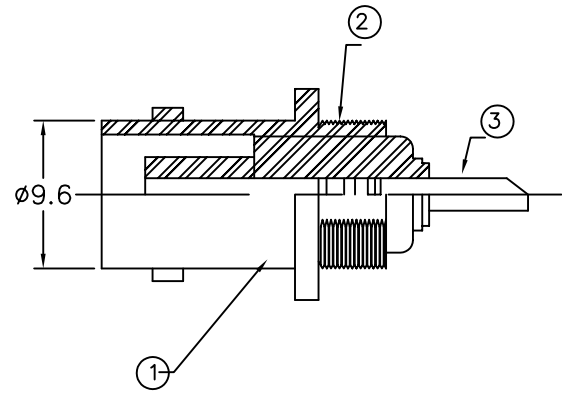
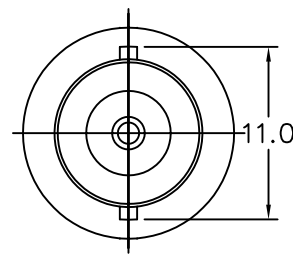


SPECIFICATIONS

Impedance: 50 Ohms
 Voltage Rating: 500V RMS
 Frequency Range: 0~4GHz
 Interface Per Mil-C-39012C
 1: Body: Diecast (Zinc #3) Nickel Plating
 Per QQ-N-290 Over
 Copper Undercoat Per Mil-c-14550
 2: Insulator: Delrin
 3: Center Contact : Brass. Gold Plating
 Washer: Steel. Nickel Plating
 Nut: Iron, Nickel Plating
 Solder Tac Iron .Nickel Plating



4UCON 元化興業股份有限公司
 4UCON TECHNOLOGY INC.

DRAWING No.
 05822

APPROVED BY MEI
 CHECKED BY RAN
 DRAWING BY HZF

UNLESS OTHERWISE SPECIFIED TOLERANCES ARE
 X. ± 0.50
 .X ± 0.30
 .XX ± 0.20

SCALE NONE

REV. A

UNIT mm

NO.	REV.	REVISIONS	CHK	DATE
△ A		NEW RELEASE	RAN	