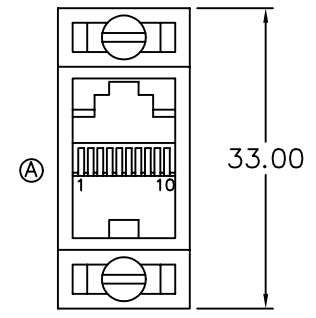
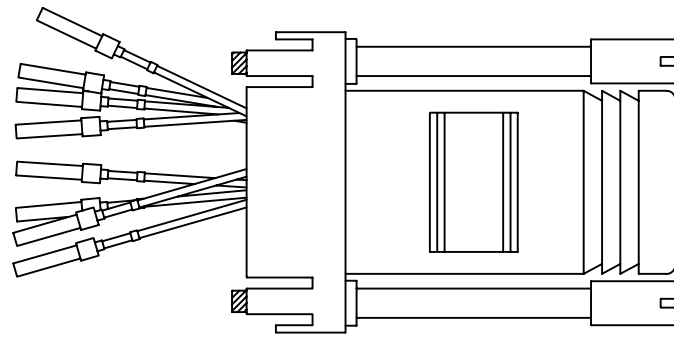
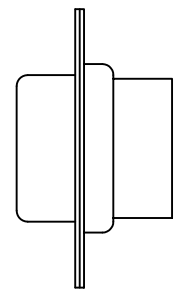
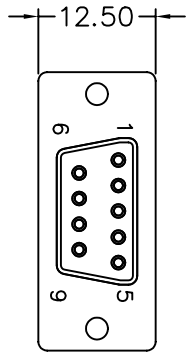
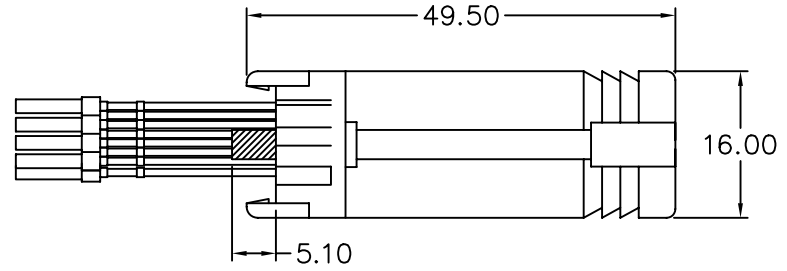
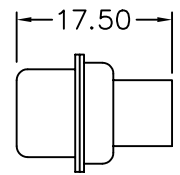


**SPECIFICATION:**

Insulator : ABS  
 Contact : Brass,Gold Flash  
 Shell : Steel



|       |       |       |        |       |     |       |        |      |   |    |
|-------|-------|-------|--------|-------|-----|-------|--------|------|---|----|
| A     | 1     | 2     | 3      | 4     | 5   | 6     | 7      | 8    | 9 | 10 |
| Color | White | Brown | Yellow | Green | Red | Black | Orange | Blue |   |    |

**4UCON** 元化興業股份有限公司  
 4UCON TECHNOLOGY INC.

DRAWING No.  
 06008

APPROVED BY MEI  
 CHECKED BY RAN  
 DRAWING BY HZF

UNLESS OTHERWISE SPECIFIED  
 TOLERANCES ARE  
 .X  
 .XX ±0.20  
 AWG.

SCALE NONE REV. A UNIT mm

AREA REVISIONS CHK DATE