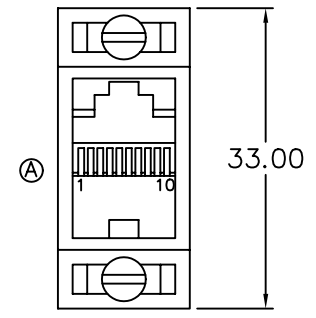
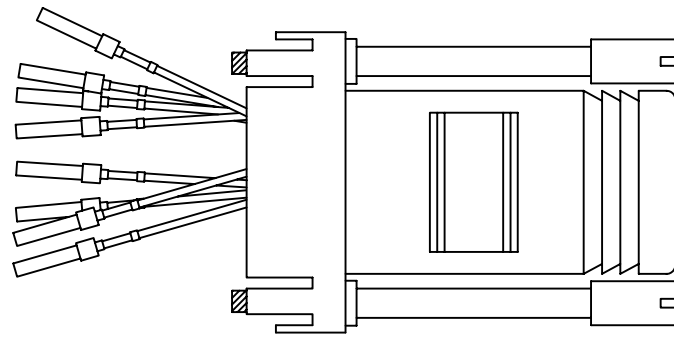
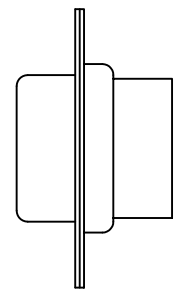
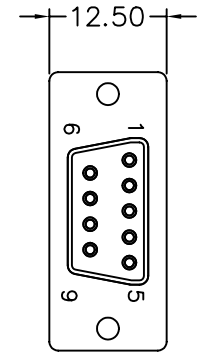
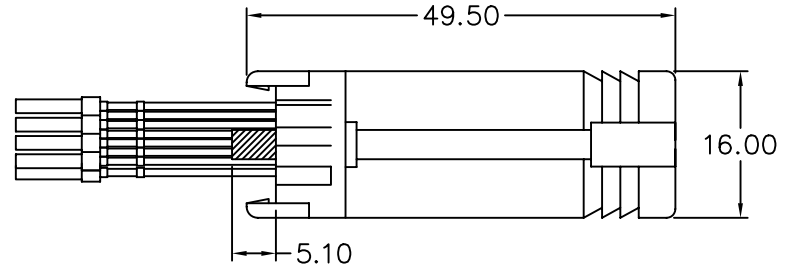
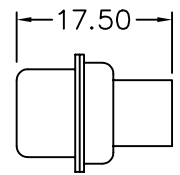


**SPECIFICATION:**

Insulator : ABS  
 Contact : Brass,Gold Flash  
 Shell : Steel



A	1	2	3	4	5	6	7	8	9	10
Color	White	Brown	Yellow	Green	Red	Black	Orange	Blue		

**4UCON** 元化興業股份有限公司  
 4UCON TECHNOLOGY INC.

DRAWING No.  
 06009

APPROVED BY MEI  
 CHECKED BY RAN  
 DRAWING BY HZF

UNLESS OTHERWISE SPECIFIED TOLERANCES ARE  
 .X  
 .XX ±0.20  
 AWG.

SCALE NONE REV. A UNIT mm

AREA REVISIONS CHK DATE