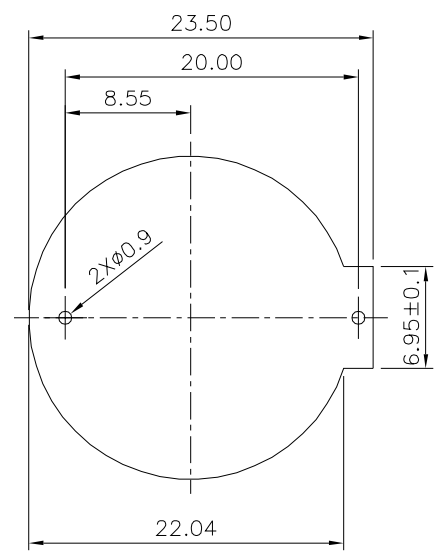
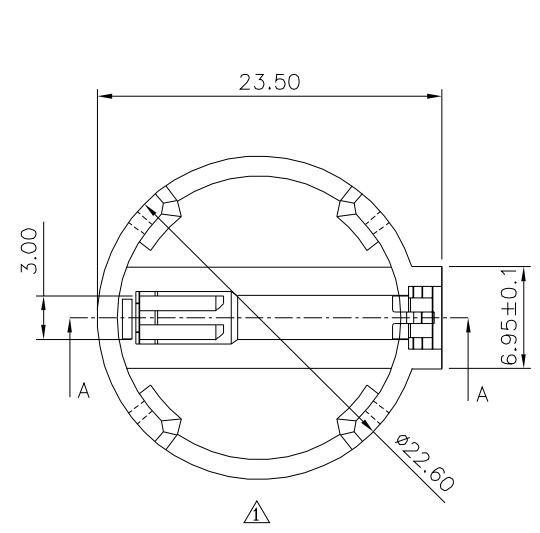
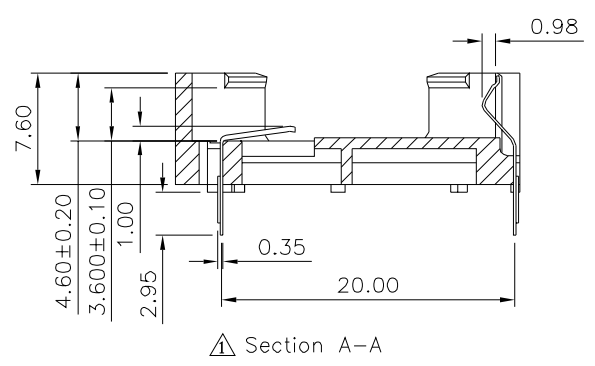


△△ SPECIFICATION
 Current Rating: 2 Amp AC/DC
 Voltage Rating: 500V AC/DC
 Contact Resistance: 20 Milliohms Max.
 After Test: 40 Milliohms Max.
 Insulation Resistance: 500 Megaohms Min
 At 500V DC For 2 Minute
 Dielectric Strength: 500V AC For 1 Minute
 Temperature Range: -55°C ~ +85°C
 Housing: PA66+G.F.(UL94V-0), Black
 Contact: Phosphor Bronze, Tin Plated Over Nickel
 Applicable: Battery CR2032
 RoHS Compliant

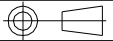


Recommended P.C.B. Layout



△ Section A-A

4UCON 元化興業股份有限公司
 4UCON TECHNOLOGY INC.

DRAWING No.		APPROVED BY		UNLESS OTHERWISE SPECIFIED TOLERANCES ARE .X ±0.25 .XX ±0.20 .XXX ±0.10 ANG. ±2°
06076		MEI		
		CHECKED BY HZF		
DRAWING BY WSS		UNIT mm		
SCALE	NONE	REV.	A2	

NO.	REV.	REVISIONS	CHK	DATE
△2	A2	Modify Data	HZF	01/17/2017
△1	A1	Modify Data	HZF	11/22/2011
△0	A0	NEW RELEASE	HZF	10/14/2007