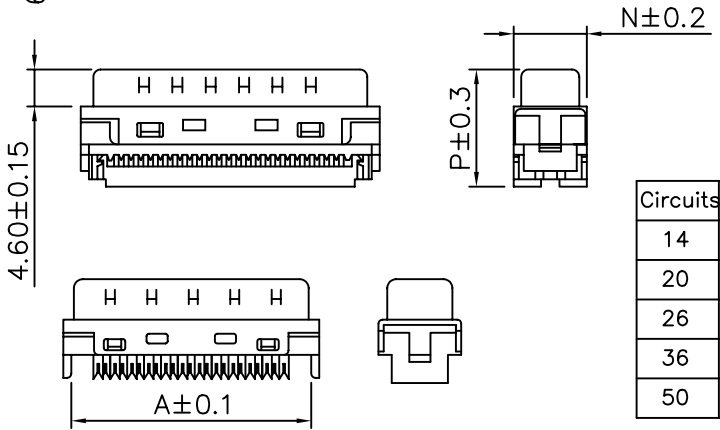
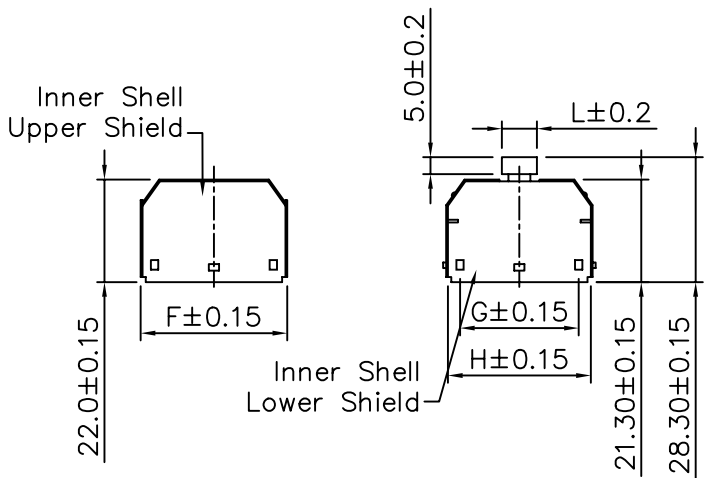
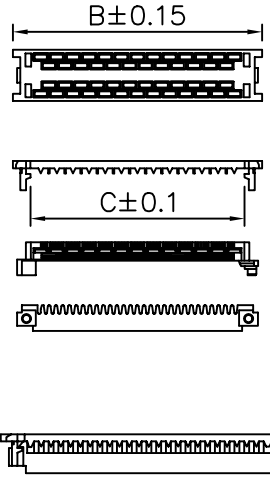
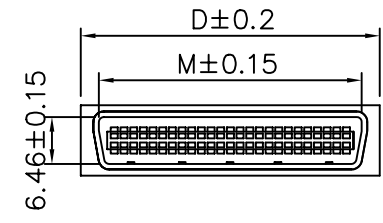


SPECIFICATION
 Current Rating: 1A
 Insulation Resistance : 500 Megohms/Min.
 Withstanding Voltage : 500V AC/RMS For 1 Minute
 Contact Resistance : 35 Milliohms Max.
 Temperature Range : -55°C To +105°C
 Housing And Cover : Plastic Thermoplastic
 P.B.T UL 94V-0
 Contact: Phosphor Bronze Gold Selective Plated
 Shell : Steel, Nickel Plated Over Copper
 Hood : Plastic ABS PA-769, Color: Beige
 Inner Shell : Steel, Nickel Plated
 Latch : Stainless Steel



Circuits	A	B	C	D	E	F	G	H	I	J	K	L	M	N	P
14	14.38	16.38	11.18	16.45	11.70	17.60	11.30	16.30	17.60	17.80	26.20	7.20	12.80	8.50	13.10
20	18.10	20.10	14.90	20.00	12.60	21.40	15.00	20.20	21.00	21.60	30.00	9.40	16.60	9.30	13.10
26	22.00	24.00	18.70	24.00	12.60	25.00	18.80	23.95	25.10	25.20	34.00	9.50	20.40	9.30	13.10
36	28.35	30.35	25.21	30.40	11.40	31.35	25.20	30.30	31.60	31.55	40.00	9.50	26.70	8.50	13.10
50	37.30	39.30	34.10	39.30	12.60	40.55	34.10	39.35	40.60	40.75	49.40	9.50	35.60	9.30	13.70

4UCON 元化興業股份有限公司
 4UCON TECHNOLOGY INC.

DRAWING No. 06090
 APPROVED BY MEI
 CHECKED BY RAN
 DRAWING BY HZF
 SCALE NONE REV. A
 UNIT mm

UNLESS OTHERWISE SPECIFIED TOLERANCES ARE
 .X ±0.38
 .XX ±0.25
 .XXX
 AREA REVISIONS CHK DATE