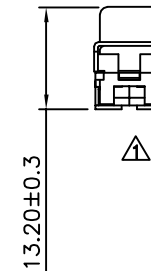
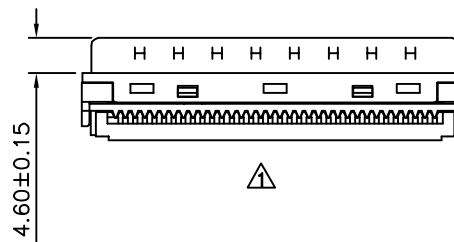
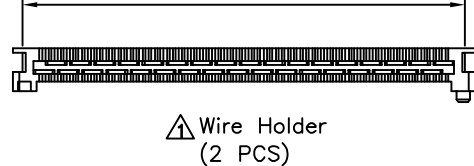
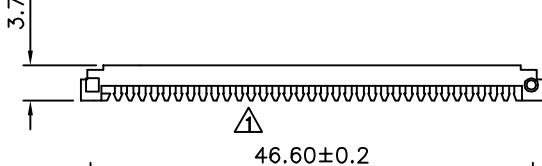
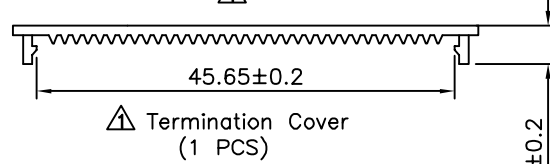
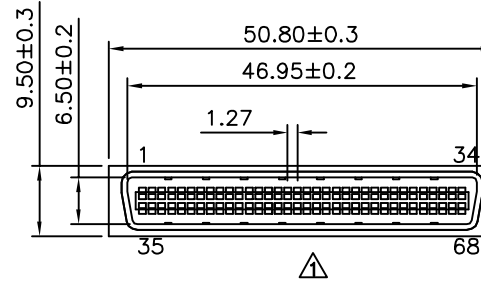
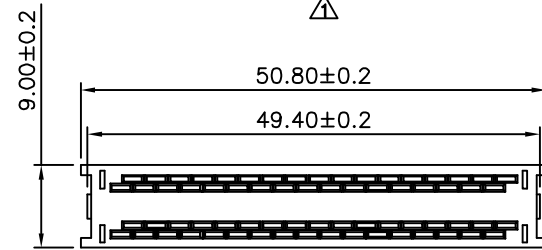
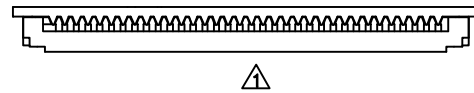
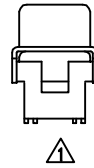
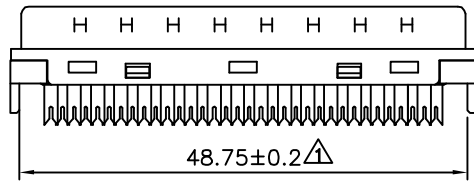


△ SPECIFICATION

Current Rating:0.5 Amp
 Withstand Voltage:500V AC
 Contact Resistance:35 Milliohms Max.
 Insulation Resistance:>500 Megaohms Min.
 Operation Temperature:-55°C~+85°C
 Housing&Cover:PBT(UL94V-0),Black
 Contact:Phosphor Bronze
 Gold Plated 5u" On Contact Area,Over Nickel
 Front Shell:Steel,Nickel Plated Over Copper
 RoHS Compliant



4UCON 元化興業股份有限公司
 4UCON TECHNOLOGY INC.

DRAWING No.

06095

APPROVED BY

MEI

CHECKED BY

HZF

DRAWING BY

WZL

UNLESS OTHERWISE SPECIFIED TOLERANCES ARE

.X ±0.38

.XX ±0.25

SCALE

NONE

REV.

A1

UNIT

mm



NO REV

REVISIONS

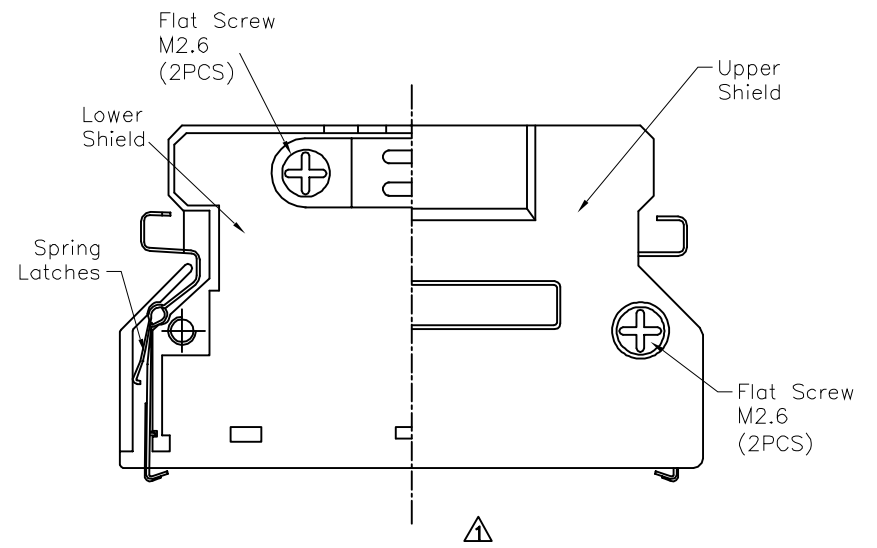
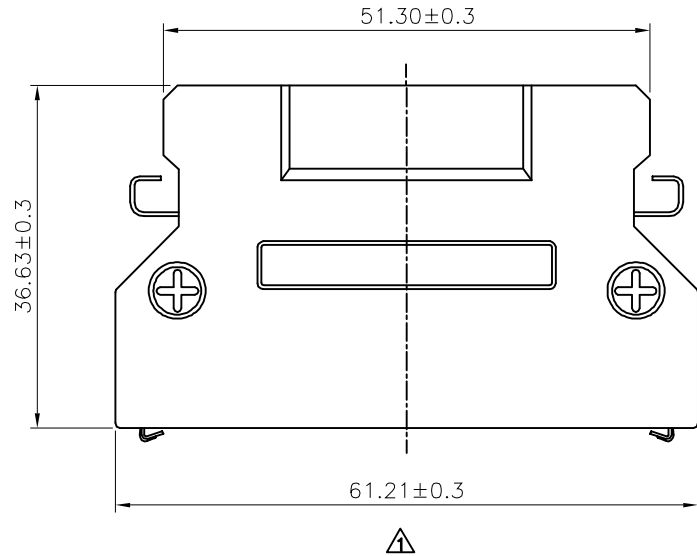
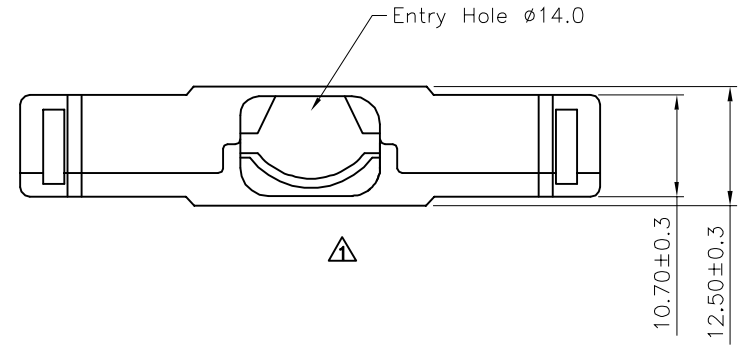
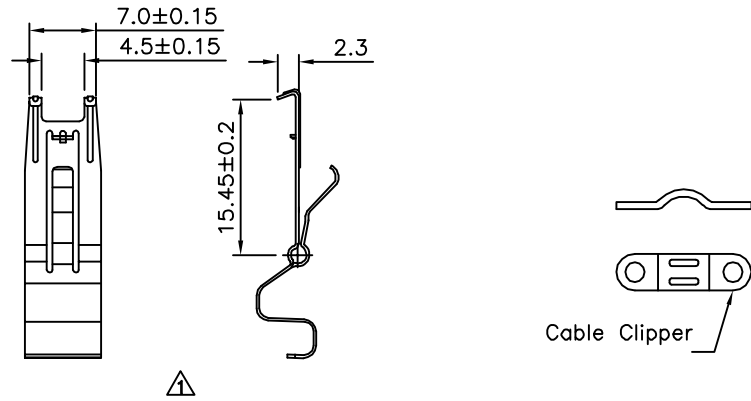
CHK

DATE

△ A1	Modify Data	HZF	01/17/2012
------	-------------	-----	------------

△ A0	NEW RELEASE	HZF	02/01/2008
------	-------------	-----	------------

△ SPECIFICATION
 Back Shell: Zinc Alloy, Nickel Plated Over Copper
 Flat Screw: Steel, Nickel Plated Over Copper
 Cable Clipper: Steel, Nickel Plated Over Copper
 Spring Latches: Stainless Steel
 RoHS Compliant



4UCON 元化興業股份有限公司
 4UCON TECHNOLOGY INC.

DRAWING No.
 06095

APPROVED BY
 MEI
 CHECKED BY
 HZF
 DRAWING BY
 WZL

UNLESS OTHERWISE SPECIFIED
 TOLERANCES ARE
 .X ±0.38
 .XX ±0.25

SCALE NONE REV. A1 UNIT mm

△ A1	Modify Data	HZF	01/17/2012
△ A0	NEW RELEASE	HZF	02/01/2008
NO REV	REVISIONS	CHK	DATE