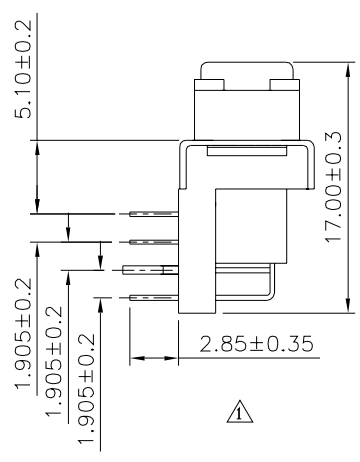
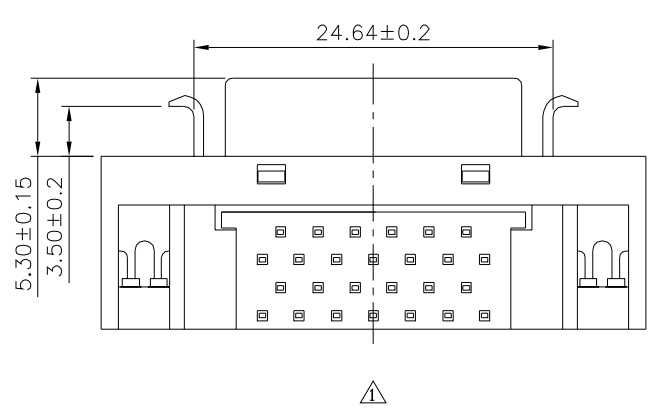


△ SPECIFICATION
 Contact Current Rating:0.5 Amp
 Dielectric Withstanding Voltage:500V AC
 Contact Resistance:35 Milliohms Max.
 Insulation Resistance:>500 Megaohms Min.
 Operation Temperature:-55°C~+85°C
 Housing And Cover:PBT(UL94V-0),Black
 △ Contact:Phosphor Bronze,Selective Gold Plated 5u" Over Nickel
 Front Shell:Steel,Nickel Plated Over Copper
 Bracket:Steel,Nickel Plated Over Copper
 Boardlock:Brass,Tin Plated Over Copper
 RoHS Compliant



4UCON 元化興業股份有限公司
 4UCON TECHNOLOGY INC.

DRAWING No.		APPROVED BY		UNLESS OTHERWISE SPECIFIED TOLERANCES ARE △ .X ±0.38 .XX ±0.25 ANG.	<table border="1"> <tr> <td>△ A3</td> <td>Modify Data</td> <td>HZF</td> <td>06/16/2016</td> </tr> <tr> <td>△ A2</td> <td>Modify Data</td> <td>HZF</td> <td>08/30/2013</td> </tr> <tr> <td>△ A1</td> <td>Modify Data</td> <td>HZF</td> <td>05/05/2010</td> </tr> <tr> <td>△ A0</td> <td>NEW RELEASE</td> <td></td> <td></td> </tr> </table>	△ A3	Modify Data	HZF	06/16/2016	△ A2	Modify Data	HZF	08/30/2013	△ A1	Modify Data	HZF	05/05/2010	△ A0	NEW RELEASE		
△ A3	Modify Data	HZF	06/16/2016																		
△ A2	Modify Data	HZF	08/30/2013																		
△ A1	Modify Data	HZF	05/05/2010																		
△ A0	NEW RELEASE																				
06100		MEI																			
SCALE NONE		CHECKED BY HZF																			
REV. A3		DRAWING BY CYP		NO. REV.	REVISIONS	CHK	DATE														