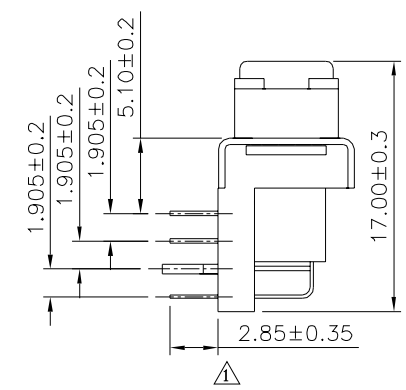
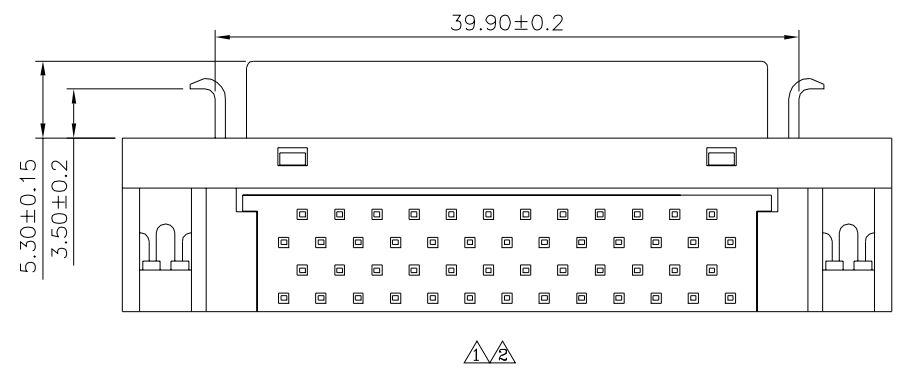
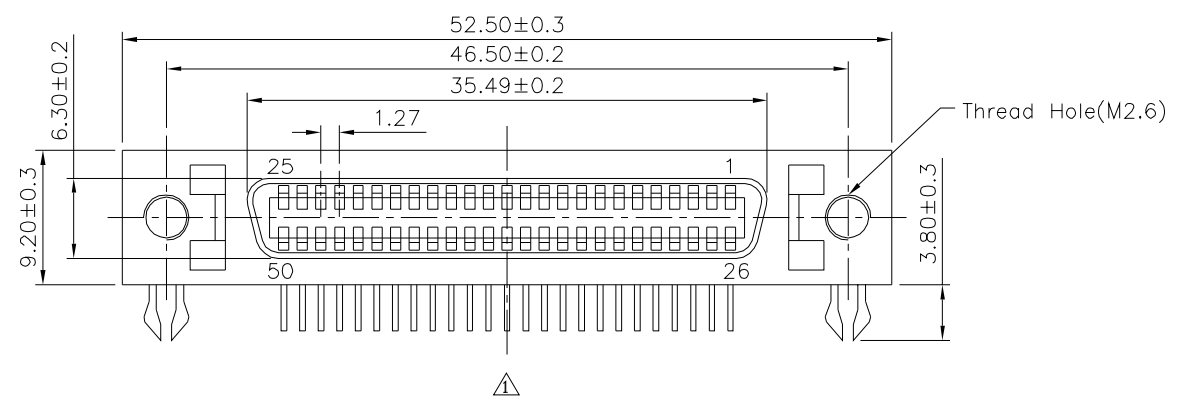


△△ SPECIFICATION
 Contact Current Rating:0.5 Amp
 Dielectric Withstanding Voltage:500V AC
 Contact Resistance:35 Milliohms Max.
 Insulation Resistance:>500 Megaohms Min.
 Operation Temperature:-55°C~+85°C
 Housing And Cover:PBT(UL94V-0),Black
 Contacts:Phosphor Bronze,Selective Gold Plated 5u"
 Over Nickel
 Front Shell:Steel,Nickel Plated Over Copper
 Bracket:Steel,Nickel Plated Over Copper
 Boardlock:Brass,Tin Plated Over Copper
 RoHS Compliant



4UCON 元化興業股份有限公司
 4UCON TECHNOLOGY INC.

DRAWING No.		APPROVED BY		UNLESS OTHERWISE SPECIFIED TOLERANCES ARE .X ±0.38 .XX ±0.25 ANG. UNIT mm
06102		MEI		
		CHECKED BY HZF		
SCALE NONE		DRAWING BY SONG		
REV.	A2	NO. REV.		REVISIONS

△2	A2	Modify Data	HZF	04/02/2013
△1	A1	Modify Data	HZF	08/30/2010
△0	A0	NEW RELEASE		
NO. REV.	REVISIONS		CHK	DATE