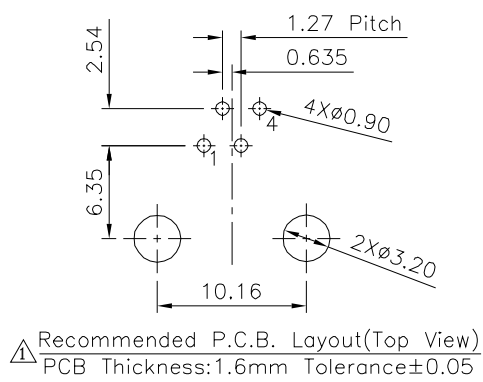
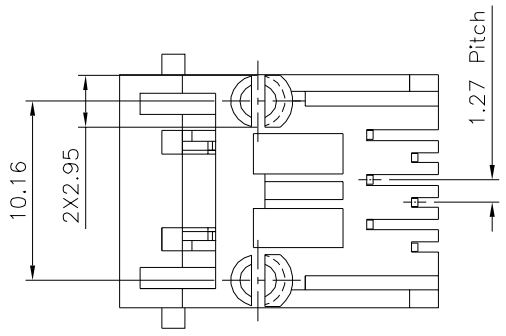
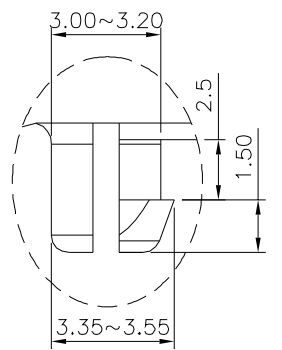
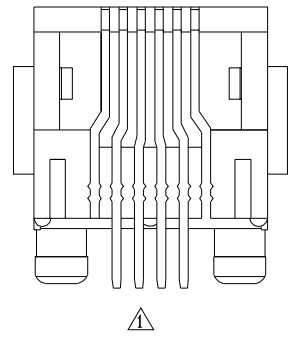
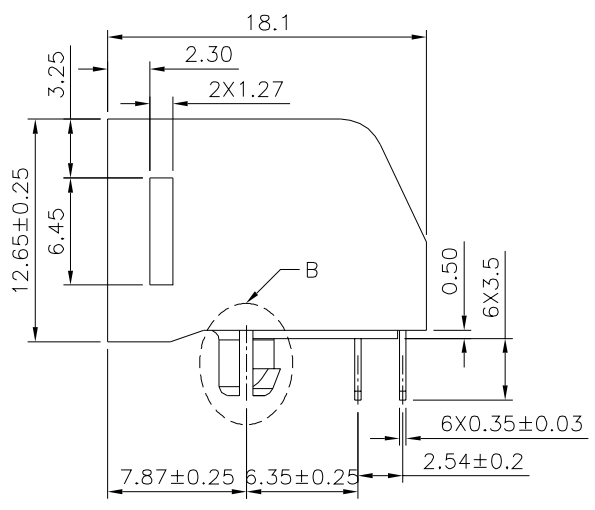
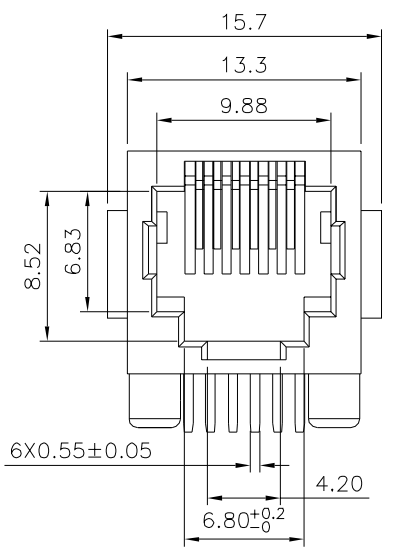


△ SPECIFICATION
 Current Rating: 1.5A Max.
 Voltage Rating: 150V AC Max.
 Operating Temperature: -40°C ~ +85°C
 Relative Humidity: 70% ± 10% RH
 Insulation Resistance: 500 Megaohms Min. Initial
 At 500V DC
 Contact Resistance: 20 Milliohms Max. Initial
 30 Milliohms Max. Final
 Durability: 750 Cycles
 Dielectric Withstanding Voltage:
 1000V RMS. At 60Hz, 1 Minute Between
 Adjacent Contacts
 1500V RMS. At 60Hz, 1 Minute Between
 Shield And Contacts
 Housing: PBT+G.F.(UL94V-0), Black
 Contact: Phosphor Bronze
 Gold Plated 06u" On Contact Area,
 Gold Flash On Other Area, Over Nickel
 Cavity Conforms To FCC Rules And Regulations
 Part 68, Subpart F.
 RoHS Compliant



4UCON 元化興業股份有限公司
 4UCON TECHNOLOGY INC.

| | | | | |
|-------------|--|-------------|--|---|
| DRAWING No. | | APPROVED BY | | UNLESS OTHERWISE SPECIFIED TOLERANCES ARE △ .X ± 0.25 .XX ± 0.13 .XXX ± 0.05 |
| 06122 | | MEI | | |
| | | CHECKED BY | | |
| SCALE | | NONE | | UNIT mm |
| | | REV. | | |
| A1 | | A1 | | NO. REV. |

| | | | |
|----------|-------------|-----|------------|
| △ A1 | Modify Data | HZF | 10/17/2016 |
| △ A0 | NEW RELEASE | HZF | 11/09/2006 |
| NO. REV. | REVISIONS | CHK | DATE |