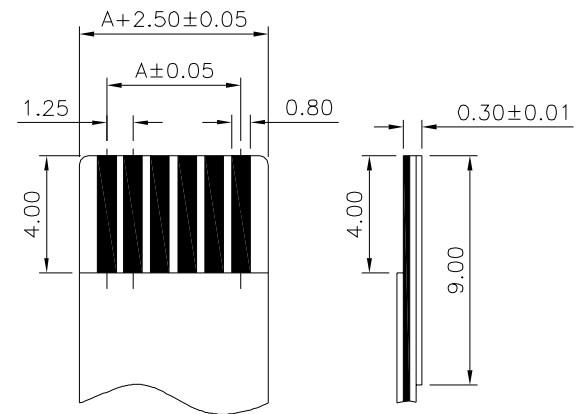
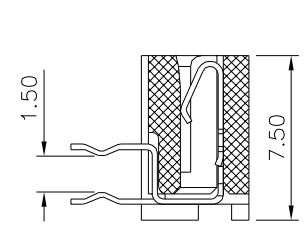
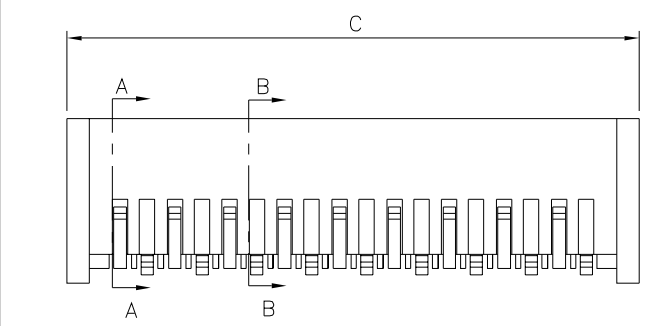
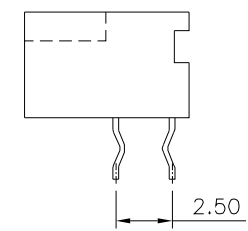
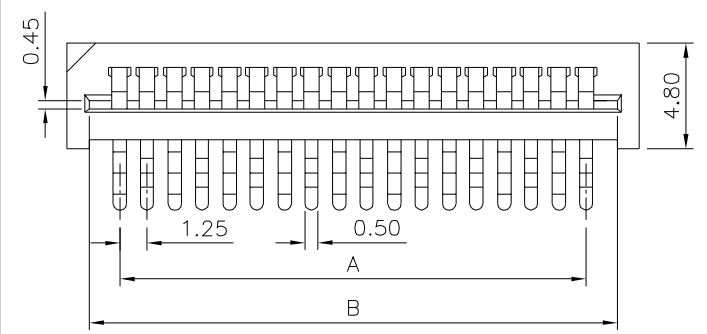


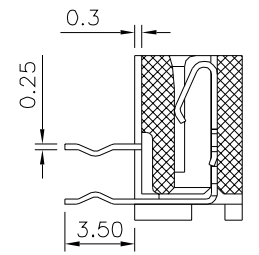
Recommended P.C.B. Layout



Applicable FPC/FFC



Section A-A



Section B-B

SPECIFICATION

1. General Characteristics
 - 1.25mm FPC XXP DIP 90°
 - Non-ZIF Single Contact Standard Layout
2. Material & Finish
 - Insulator: PBT(UL94V-0), White
 - Contact: Phosphor Bronze, Tin Plated Over Nickel
3. Electrical Characteristics
 - Current Rating: 1A AC RMS/DC
 - Voltage Rating: 200V AC RMS/DC
 - Contact Resistance: 20 Milliohms Max.
 - Insulation Resistance: 500 Megaohms Min.
 - Dielectric Voltage: 500V RMS/Minute
4. Environmental Characteristics
 - Ambient Temperature Range: -25°C ~ +85°C
5. RoHS Compliant

Pin	A	B	C	Pin	A	B	C
*4	3.75	6.25	8.55	*20	23.75	26.25	28.55
*5	5.00	7.50	9.80	*21	25.00	27.50	29.80
*6	6.25	8.75	11.05	*22	26.25	28.75	31.05
*7	7.50	10.00	12.30	*23	27.50	30.00	32.30
*8	8.75	11.25	13.55	*24	28.75	31.25	33.55
*9	10.00	12.50	14.80	*25	30.00	32.50	34.80
*10	11.25	13.75	16.05	*26	31.25	33.75	36.05
*11	12.50	15.00	17.30	*27	32.50	35.00	37.30
*12	13.75	16.25	18.55	*28	33.75	36.25	38.55
*13	15.00	17.50	19.80	*29	35.00	37.50	39.80
*14	16.25	18.75	21.05	*30	36.25	38.75	41.05
*15	17.50	20.00	22.30	*31	37.50	40.00	42.30
*16	18.75	21.25	23.55	*32	38.75	41.25	43.55
*17	20.00	22.50	24.80	*33	40.00	42.50	44.80
*18	21.25	23.75	26.05	*34	41.25	43.75	46.05
*19	22.50	25.00	27.30				

⚠ The Mark Of "*" Are Tooled Already

4UCON 元化興業股份有限公司
4UCON TECHNOLOGY INC.

DRAWING No.		APPROVED BY		UNLESS OTHERWISE SPECIFIED TOLERANCES ARE X. ±0.3 X.* ±5° .X ±0.25 .X.* ±2° .XX ±0.20 .XX.* ±1° .XXX ±0.10 .XXX.* ±0.5°	
06429		MEI			
		CHECKED BY HZF			
DRAWING BY CYP		REV. A1		UNIT mm	
SCALE	NONE	REV.	A1		

NO.	REV.	REVISIONS	CHK	DATE
△	A1	Modify Data	HZF	06/16/2017
△	A0	NEW RELEASE	HZF	02/24/2012