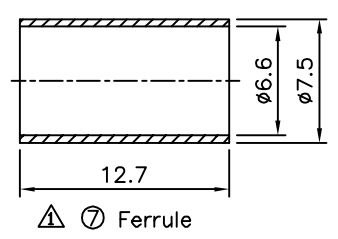
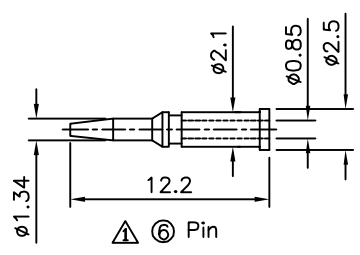
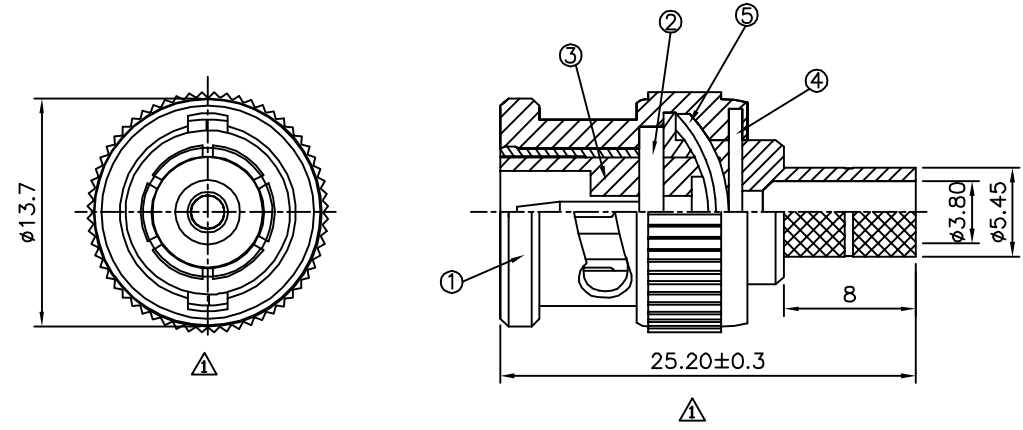


△ SPECIFICATION
 Impedance:50 Ohms
 Voltage Rating:500V RMS
 Frequency Range:0~4 GHz
 Interface Per MIL-C-39012C
 For RG-59 Cable
 RoHS Compliant



No.	Part Name	Material	Remark
⑦	Ferrule	Brass	Nickel Plated
⑥	Pin	Brass	Gold Plated Over Nickel
⑤	Spring	SK-5	Bronze Plated
④	Washer	Iron	Nickel Plated
③	Insulator	POM	—
②	Gasket	Rubber	Red
①	Body	Zinc Alloy	Nickel Plated

4UCON 元化興業股份有限公司
 4UCON TECHNOLOGY INC.

DRAWING No.		APPROVED BY		UNLESS OTHERWISE SPECIFIED TOLERANCES ARE △ X ±0.5 .X ±0.3 .XX ±0.2 ANG. ±3°
06557		MEI		
		CHECKED BY		
		HZF		
		DRAWING BY		
		HTP		
SCALE	NONE	REV.	A1	UNIT
				mm

NO.	REV.	REVISIONS	CHK	DATE
△ A1		Modify Data	HZF	03/08/2012
△ A0		NEW RELEASE		