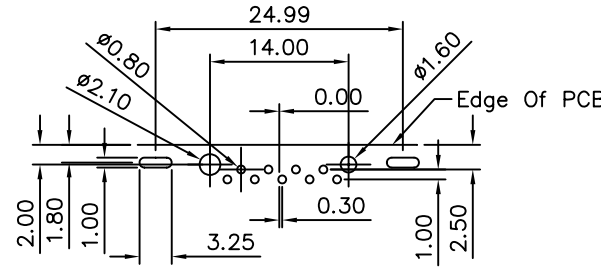
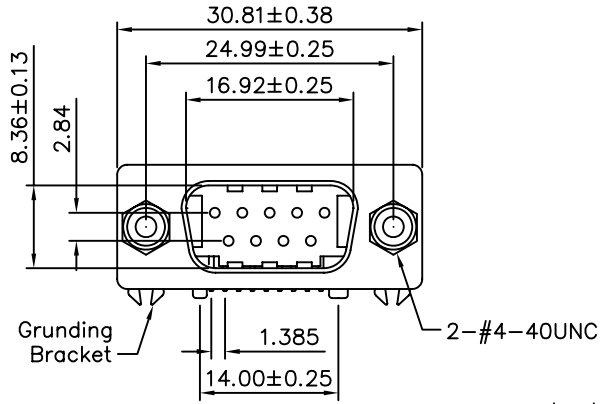
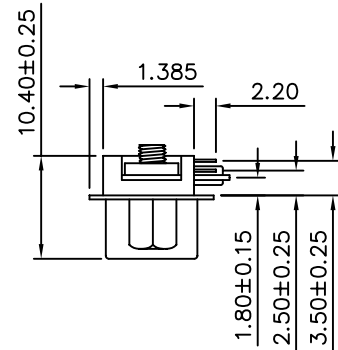
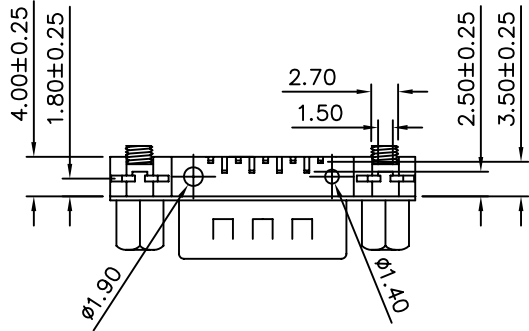
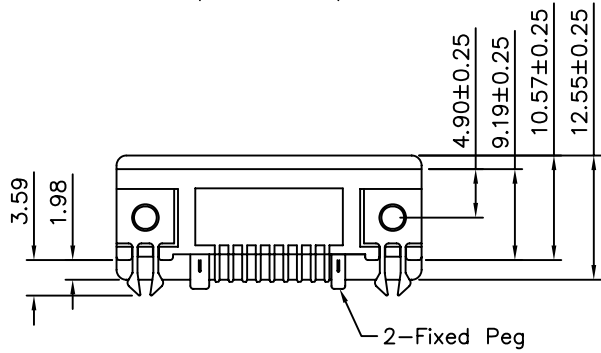


SPECIFICATIONS

Current Rating: 5A
 Voltage Rating: 300V DC
 Withstanding Voltage: 500V(R.M.S)AC For 1 Minute
 Insulation Resistance: 1000 Megohms Min. At 500V DC
 Contact Resistance: 13 Milliohms Max.
 Dielectric Strength: 1000V AC Min. For 1 Minute
 Temperature: -55°C~+105°C
 Shell: Steel, Tin Plated
 Bracket: Brass Strip-H Nickel Plated
 Screw: Brass, Nickel Plated
 Insulator: PBT With Glass-Fiber Reinforced
 UL 94V-0, Black Color
 PC 99 Colorful Insulator: Pantone#322C-9Pos Male
 Contact: Phosphor Bronze, Gold Flash On Mating End,
 Tin On Termination End,
 With Entire Contact Nickel



Recommended PCB Layout



4UCON 元化興業股份有限公司
 4UCON TECHNOLOGY INC.

DRAWING No.

06562

APPROVED BY

MEI

CHECKED BY

BECKY

DRAWING BY

HZF

UNLESS OTHERWISE SPECIFIED

TOLERANCES ARE

.X ±0.25

.XX ±0.15

.XXX ±0.08

ANG. ±1°

SCALE

NONE

REV.

A0

UNIT

mm



△ A0

NEW RELEASE

BECKY

12/06/2005

NO. REV.

REVISIONS

CHK

DATE