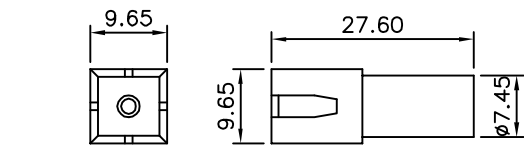
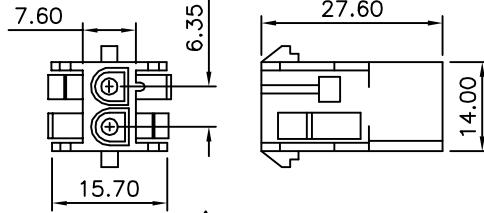


SPECIFICATION

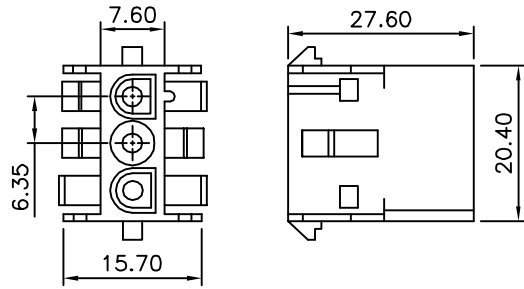
Current Rating:12A AC/DC
 Voltage Rating:300V AC/DC
 Withstanding Voltage:1500V AC/Minute
 Insulation Resistance:1000 Megaohms Min.
 Temperature Range:-25°C~+90°C
 Material:PA66(UL94V-2)
 RoHS Compliant



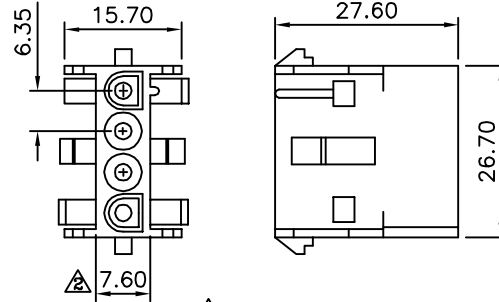
△1X01



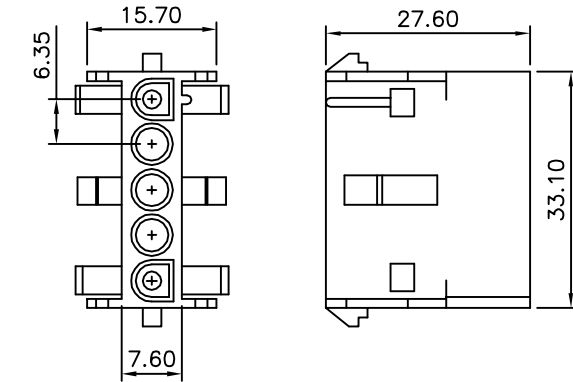
△1X02



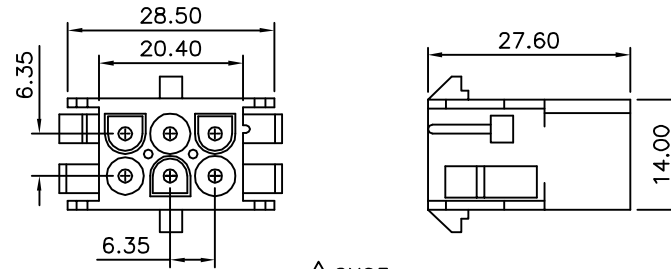
△1X03



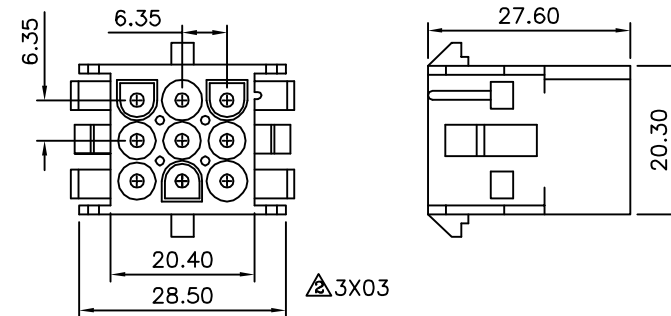
△1X04



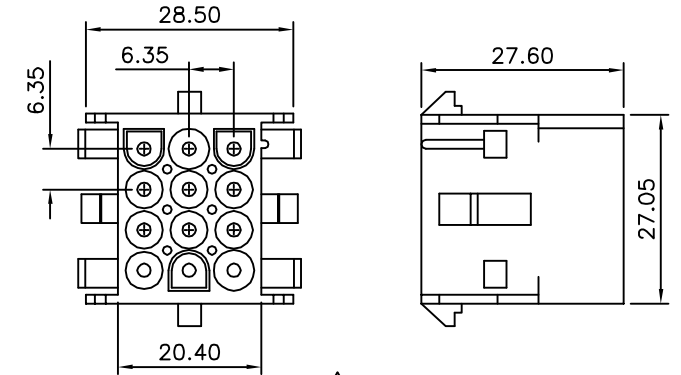
△1X05



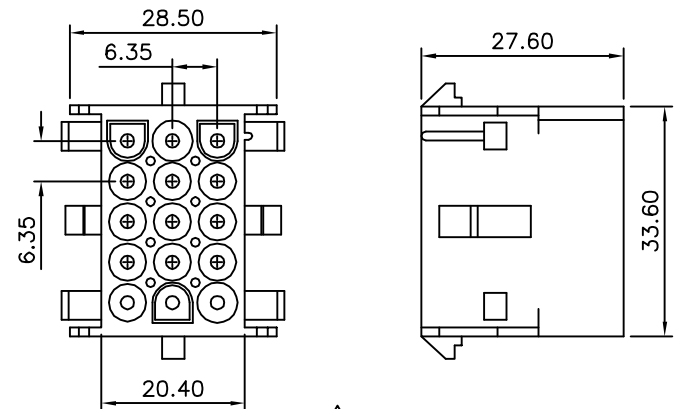
△2X03



△3X03



△3X04



△3X05

4UCON 元化興業股份有限公司
 4UCON TECHNOLOGY INC.

DRAWING No.

07043

APPROVED BY

MEI

CHECKED BY

HZF

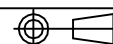
DRAWING BY

SONG

REV. A2

UNLESS OTHERWISE SPECIFIED TOLERANCES ARE
 .X ±0.3
 .XX ±0.3
 ANG.

UNIT mm



NO.	REV.	REVISIONS	CHK	DATE
△A2		Modify Data	HZF	11/09/2012
△A1		Modify Data	HZF	06/20/2011
△A0		NEW RELEASE		

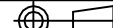
SCALE

NONE

REV.

A2

UNIT



NO.

REV.

CHK

DATE